

## Neo™ Hand Held Shower

### MODELS:

- VS-30 10: 2.5 GPM (9.5 L/min) **low** rate
- VS-30 10-E2: 2.0 GPM (7.6 L/min) **low** rate
- VS-30 10-E175: 1.75 GPM (6.6 L/min) **low** rate

### FEATURES:

- 5 plungers with 45 sprays, 12 massage jets, 3 spray patterns
- Patented Anystream® plungers resist scale build-up
- Spray adjusting faceplate
- Plastic body construction
- Hand held shower has 1/2" -14 NPSM male inlet
- Includes coordinating shower bracket with 1/2" -14 NPTF female inlet, 1/2" -14 NPSM male outlet with check valve
- Includes 5' metal hose with (1) 1/2" -14 NPSM female inlet and (1) 1/2" -14 NPSM female outlet with check valve
- Corrosion resistant finishes
- Coordinates with Neo Collection

### STOCK FINISHES:



PC BN

### SPECIALTY FINISHES:



BBZ MB ORB PB PN

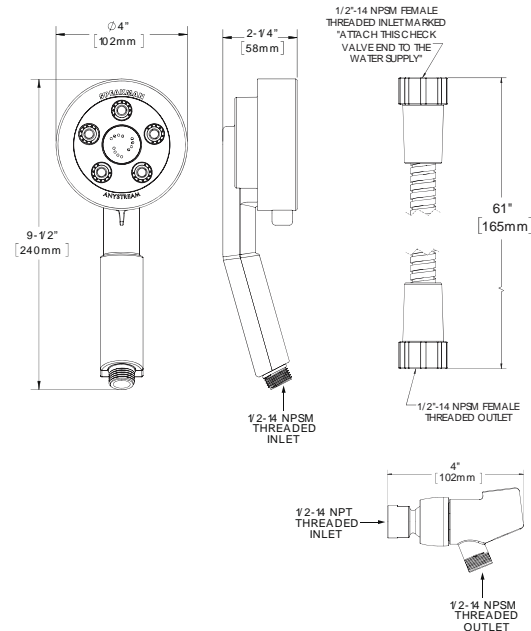
### STANDARDS:

- ASME A 112.18.1 CSA B 125.1 certified
- CEC (CA Energy Commission) certified, 1.75 GPM only
- WaterSense certified, 2.0 & 1.75 GPM only

### WARRANTY:

Visit [www.speakman.com](http://www.speakman.com) for full product warranty information

- Limited Lifetime Warranty (consumer)
- 1 Year Limited Warranty (commercial)



All dimensions are in inches (millimeters) unless otherwise specified and are subject to change without notice.

Architect/Engineer Approval Space:

SPEAKMAN  
400 ANCHOR MILL ROAD  
NEW CASTLE, DE 19720

P: 800-537-2107  
F: 800-977-2747  
W: WWW.SPEAKMAN.COM  
R: 01-APRIL 2018