

Location:




6702-TRM, 6702TRMTC
Tub/Shower Trim
Specification Submittal



Feature Highlights

- Identity Tub/Shower Trim
- Requires Temptrol® Pressure Balancing Tub/Shower Valve
- Metal lever handle
- 5-1/2" diverter tub spout
- 1 mode showerhead with easy to clean nozzles
- 2.0gpm (7.6 L/min) flow restrictor
- Components shall be metal and nonmetallic construction, plated in standard Polished Chrome finish
- Available with TA-10 flow control spindle and T-12A cap assembly for Temptrol valve bodies installed with Test Cap (order p/n 6702TRMTC)

Options/Modifications

- 1.5**  1.5 gpm (5.7 L/min) flow restrictor
- L1** Less showerhead
- L4** Less head, arm and flange
- L6** Less tub spout
- L7** Less handle
- STN** Satin Nickel finish

Note: Append appropriate -suffix to model number.

Model Numbers

- 6702-TRM**
Tub/Shower Trim, Temptrol Pressure Balancing Tub/Shower Valve ordered separately
- 6702TRMTC**
Tub/Shower Trim with TA-10 flow control spindle and T-12A cap assembly, must order Temptrol valve with Test Cap

Warranty

Limited Lifetime - to the original end purchaser in consumer/residential installations.

10 Years - for commercial/industrial installations. Refer to www.symmons.com/warranty for complete warranty information.



Compliance

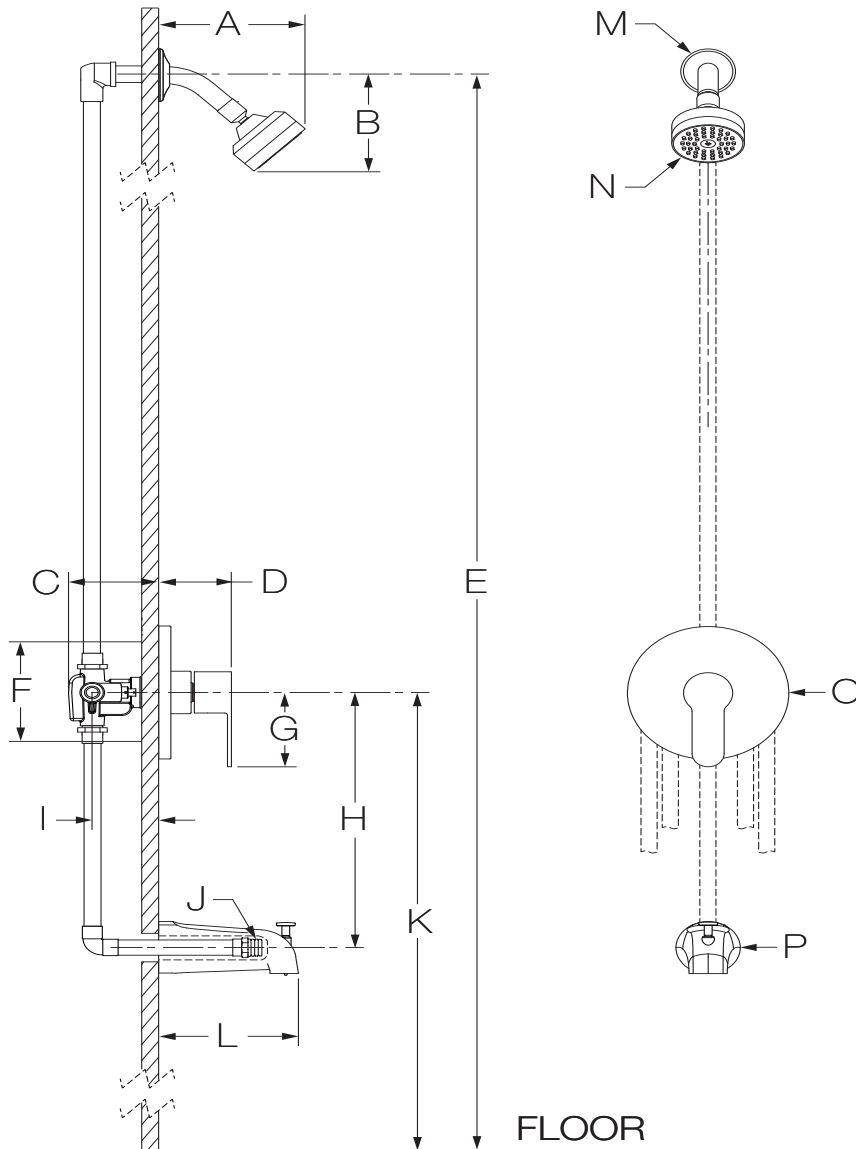
- ASME A112.18.1/CSA B125.1
- WaterSense 1.5 gpm (5.7 L/min)
2.0 gpm (7.6 L/min)



Architectural/ Engineering Specification

Symmons Identity _____ With Identity Tub/Shower Trim, Requires Temptrol® Pressure Balancing Shower Valve, Metal lever handle, 5-1/2" diverter tub spout, 1 mode showerhead with easy to clean nozzles, 2.0 gpm (7.6 L/min) flow restrictor, Components shall be metal and nonmetallic construction, plated in standard Polished Chrome finish, Available with TA-10 flow control spindle and T-12A cap assembly for Temptrol valve bodies installed with Test Cap. 10 Year commercial Warranty. ASME A112.18.1/CSA B125.1, WaterSense 1.5 gpm (5.7 L/min) 2.0 gpm (7.6 L/min) complaint. Available options include: "1.5 - 1.5 gpm (5.7 L/min) flow restrictor", "L1 - Less showerhead", "L4 - Less head, arm and flange", "L6 - Less tub spout", "L7 - Less handle", "STN - Satin nickel finish".

Dimensions



Measurements	
A	5-7/8", 149 mm
B	4-5/8", 117 mm
C	3-1/2", 89 mm
D	2-7/8", 73 mm
E	Ref. 77", 1956 mm
F	Shower Valve Hole Size Min. Ø 3", 76 mm Max. Ø 4", 102 mm
G	3-1/2", 89 mm
H	12", 305 mm
I	Rough-in 2-3/8" ± 1/2", 60 mm ± 13 mm
J	Male 1/2" NPT fitting must protrude 4" (102 mm) from finished wall
K	Ref. 32", 813 mm
L	5-1/2", 140 mm
M	Ø 2-1/2", 64 mm
N	Ø 3-1/8", 79 mm
O	Ø 6-3/8", 162 mm
P	Ø 2-1/2", 64 mm

Notes:

- 1) Valve body and piping not included and shown as reference only.
- 2) Plaster shield (p/n T-176) for dry wall, plaster or other type walls 1/2" or greater.
- 3) All dimensions measured from nominal rough-in (see I as reference).
- 4) Dimensions subject to change without notice.