





# FAUX RATTAN ADJUSTABLE-HEIGHT PATIO COOLER/SIDE TABLE

## TST-965

Review assembly instructions carefully and follow the care instructions. Save this document for future reference.  
**Assemble components on a soft, clean surface to avoid scratching or damaging the finish.**

Ensure all parts are accounted for before disposing of packaging.

No.	PARTS	QTY.
A	 Cooler	1
B	 Base	1
1	 M3.9x19mm Screw	3

### TOOLS REQUIRED (not included)



### WARNING

**CHOKING HAZARD** — This item contains small parts that can be swallowed. Keep children and pets away during assembly.

### **HELPFUL HINT**

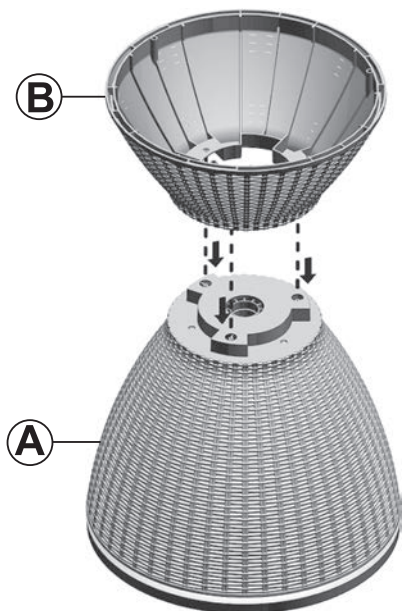
Sunnydaze Decor advises reading this manual fully, and assembling the unit soon after purchase. Check that all parts are accounted for and familiarize yourself with the assembly before beginning. Save this manual for future reference.

# ASSEMBLY

## STEP 1

A: 1

B: 1



Place Cooler (A) upside down on a soft surface. Ensuring the mounting holes are aligned, place Base (B) with the bottom of the cooler.

## STEP 2

1: 3



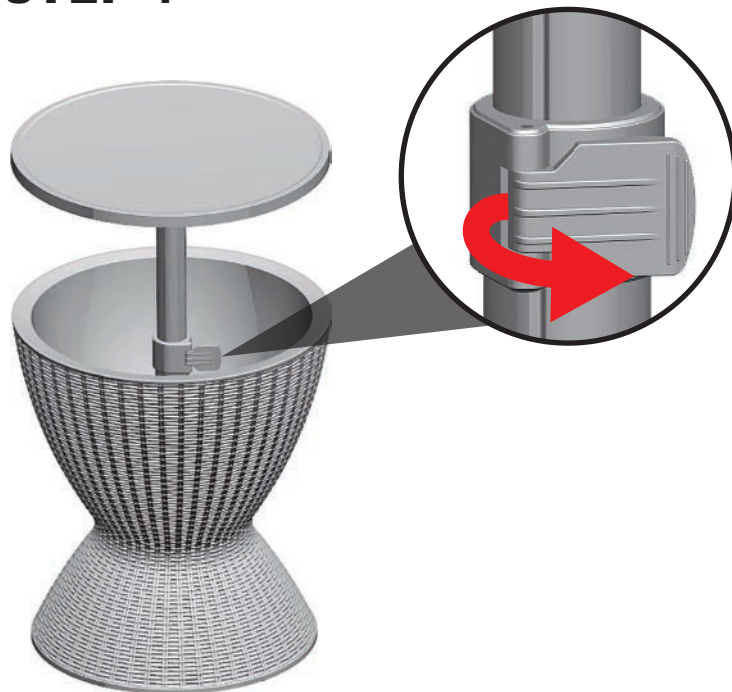
Use three M3.9x19mm Screws (1) to securely fasten the base to the cooler.

## STEP 3



Holding the tabletop/lid, flip the unit upright.

## STEP 4



Carefully extend the tabletop/lid to the highest level and lock into position with the lever, as shown.

# Care & Maintenance

**SAFE USE:** Do not sit or stand on this unit. Remove all items from the tabletop/lid before extending it. Do not set items on the tabletop while it is extended. **DO NOT allow children to use this item.**

**CLEAN:** Always empty, drain, and dry the cooler after use.

Periodically wash the exterior of the unit to maintain a fresh appearance and prevent damage that may result from the build-up of dust and debris.

**INSPECT:** Periodically check the screws to ensure they are securely fastened.

**STORAGE:** Ensure the cooler is empty, clean, and thoroughly dry before storing.

Store indoors during freezing conditions. Cover with a breathable cover to prevent dust and debris build-up.

## Cleaning

*Regular cleaning keeps your resin furniture looking stunning for many Sunnydaze to come!*

**Do not use harsh chemicals or abrasive materials to clean the furniture.**

 **DO NOT USE BLEACH**

 **DO NOT USE A PRESSURE WASHER**

- Brush, vacuum, or use a garden hose to remove loose dirt and debris.
- Mix 1/4 cup of soap or a mild detergent with 1 gallon of warm water. Use a soft-bristle brush to scrub dirt and grime from the surfaces.
- Thoroughly rinse the unit; spray with a garden hose or use a bucket of water to rinse all traces of soap residue from the unit.
- Dry the interior and exterior of the unit with a soft, lint-free cloth. Lock the tabletop/lid in an extended position to allow any remaining moisture to evaporate. Remove the drainage plugs to allow excess water to evaporate from inside the unit. Lower the tabletop/lid and replace the drainage plugs before storage.

### **SAFETY STATEMENTS & WARNINGS**

- Do not sit or stand on any part of this unit.
- Do not exceed the weight capacity of the unit.
- Avoid weight on the tabletop/lid while it is extended.
- Do not use this item in the proximity of open flame or flammable/combustible chemicals.
- Keep furniture a safe distance from heat sources such as fire pits, patio heaters, and grills.
- Do not allow children to use this product.
- Do not use harsh chemicals or abrasive materials to clean this unit.
- This product is for residential use only; institutional or commercial use will void this warranty.

**Any modification to the product or failure to follow recommended care will void the product warranty.**

### **WARNING!**

**Manufacturer and seller expressly disclaim any and all liability from personal injury, property damage or loss, whether direct or indirect, or incidental, resulting from the incorrect attachment, improper use, inadequate maintenance, or neglect of this product.**