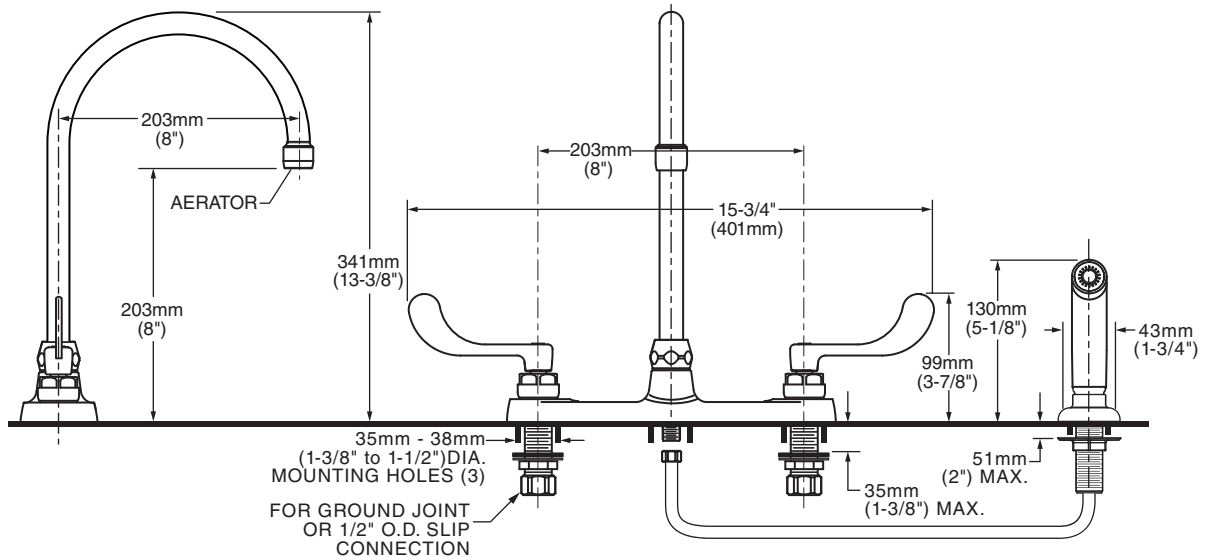




6409.171 Shown

**MODEL NUMBER:**

- 6409.171 Top Mount Faucet with 8" Gooseneck Spout**  
 Field-convertible rigid / swivel gooseneck spout. Vandal-resistant metal wrist blade handles with red/blue indexes. 1.5 gpm pressure compensating aerator. Color matched spray.
- 6409.170 Top Mount Faucet with 8" Gooseneck Spout**  
 Same as above, less spray.



**GENERAL DESCRIPTION:**

Durable cast brass construction. Field-convertible rigid-swivel gooseneck spout (8" reach, 13-3/8" overall height, 8" height to outlet). 1/4 turn ceramic disc valve cartridges. 1/2" male threaded inlet shanks with brass shank nuts and coupling nuts. Vandal-resistant wrist blade handles with blue & red color indexes. 1.5 gpm/5.7L/min. maximum flow rate.

**PRODUCT FEATURES:**

**Ceramic Disc Valve Cartridges:** Assure a lifetime of drip-free performance.

**Pressure Compensating Aerator:** Provides a constant water flow of 1.5 gpm throughout the pressure range.

**Field-Convertible Rigid / Swivel Gooseneck Spout**

**Solid Brass Construction:** Durable. Excellent in high use applications. Ideal for prolonged contact with water.

**Lead Free:** Faucet contains ≤ 0.25% total lead content by weighted average.

**5 Year Warranty:** 5 year limited warranty for commercial installations.

**SUGGESTED SPECIFICATION:**

Two handle top-mount kitchen faucet shall feature cast brass construction with all brass coupling nuts. Shall feature brass, field-convertible rigid/swivel gooseneck spout with 8" reach. Shall also feature 1/4 turn washerless ceramic disc valve cartridges. Fitting shall be American Standard Model #6409.17\_.002.

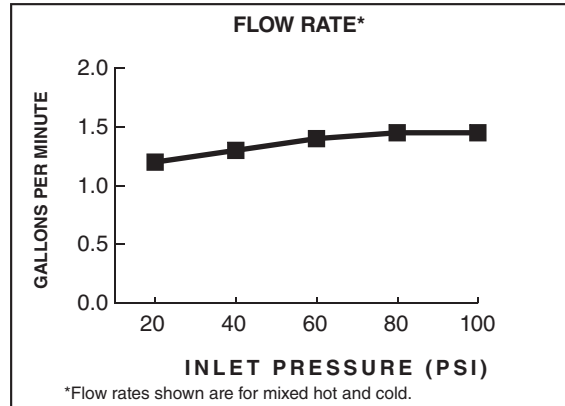


**MONTERREY™**  
**TWO-HANDLE TOP-MOUNT KITCHEN FAUCET**  
**WITH 8" BRASS GOOSENECK SPOUT**

**CODES AND STANDARDS**

These products meet or exceed the following codes and standards:

- ASME A112.18.1
- CSA B 125
- NSF 61/Section 9, Annex G
- CALGreen



Product Number	Description	Finish
		Polished Chrome
		002
6409.171	Top mount faucet with field-convertible 8" rigid / swivel spout. VR wrist blade handles. 1.5 gpm PCA aerator. With color matched spray.	
6409.170	Top mount faucet field-convertible 8" rigid / swivel spout. VR wrist blade handles. 1.5 gpm PCA aerator. Less spray.	

MEETS THE AMERICANS WITH DISABILITIES ACT GUIDELINES AND ANSI A117.1 REQUIREMENTS FOR ACCESSIBLE AND USABLE BUILDING FACILITIES-CHECK LOCAL CODES

**Other Aerators Available:**

Part Suffix	Description
LV15	1.5 gpm (5.7 Lpm) Vandal-Resistant PCA Non-Aerated Laminar Flow Outlet
L15	1.5 gpm (5.7 Lpm) PCA Non-Aerated Laminar Flow Outlet
V15	1.5 gpm (5.7 Lpm) Vandal-Resistant PCA Aerator
LV10	1.0 gpm (3.8 Lpm) Vandal-Resistant PCA Non-Aerated Laminar Flow Outlet
L10	1.0 gpm (3.8 Lpm) PCA Non-Aerated Laminar Flow Outlet
V10	1.0 gpm (3.8 Lpm) Vandal-Resistant PCA Aerator
V05	0.5 gpm (1.9 Lpm) Vandal-Resistant PCA Non-Aerated Spray
V035	0.35 gpm (1.3 Lpm) Vandal-Resistant PCA Non-Aerated Spray

\*PCA - Pressure Compensating  
 All modifications meet CALGreen Code