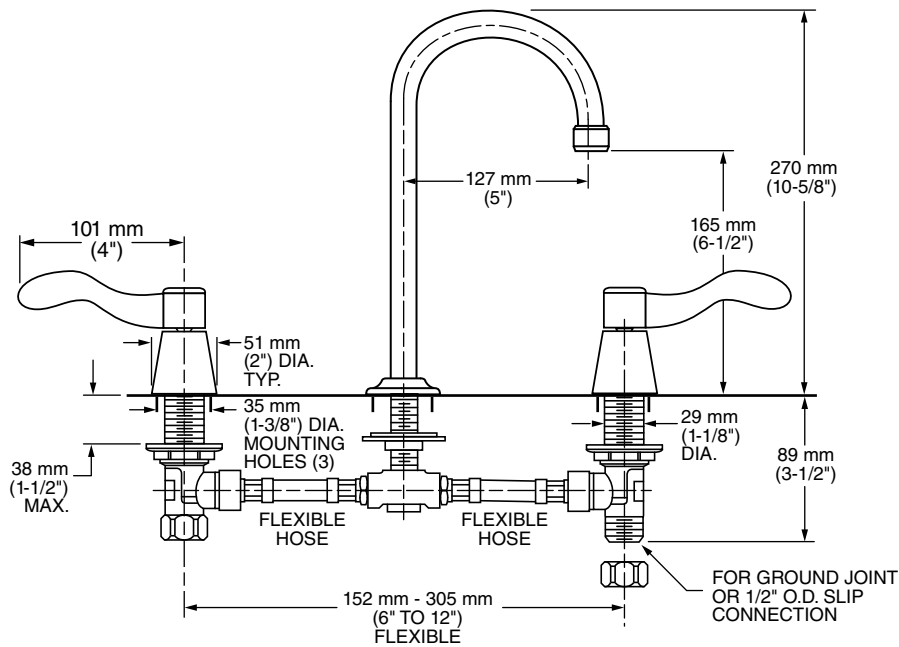


7830.372H Shown

**MODEL NUMBER:**

☐ **7830.372H 6"-12" Widespread Lavatory**

Flexible hose connections for 6"-12" center-center installation. Rigid gooseneck spout. Metal lever handles with red and blue indexes. 1.5 gpm pressure compensating aerator. Less Drain.



**GENERAL DESCRIPTION:**

Cast brass valve bodies with reinforced flexible hose connections for 6" to 12" (152 mm to 305 mm) installations. 1/4 turn washerless ceramic disc valve cartridges. Rigid gooseneck spout. One-half inch male inlet shanks with brass coupling nuts and shank nuts. 1.5 gpm/5.7 L/min. maximum flow rate.

**PRODUCT FEATURES:**

**Pressure Compensating Aerator:** Provides a constant water flow of 1.5 gpm throughout the pressure range.

**Brass Construction:** Durable - Excellent in high use applications. Ideal for prolonged contact with water.

**Ceramic Disc Valve Cartridge:** Assures a lifetime of drip-free performance.

**Lead Free:** Faucet contains ≤ 0.25% total lead content by weighted average.

**SUGGESTED SPECIFICATION**

Two handle widespread lavatory faucet shall feature cast brass valve bodies with reinforced flexible hose connections for 6" to 12" installations. Rigid gooseneck spout. Shall feature water-conserving 1.5 gpm/5.7 L/min. pressure compensating aerator. Shall also feature 1/4 turn washerless ceramic disc valve cartridges. Fitting shall be American Standard Model # 7830.372H.002.

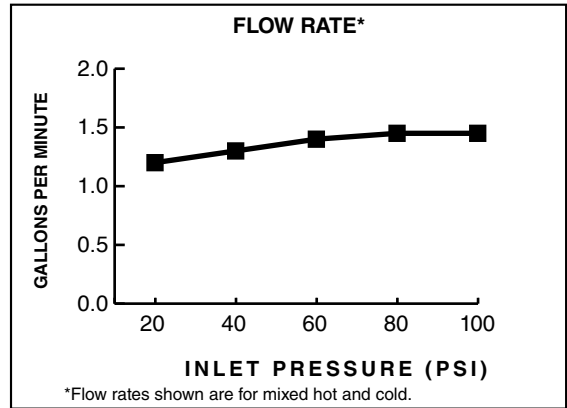


**HERITAGE®**  
**TWO-HANDLE 6"-12" WIDESPREAD LAVATORY FAUCET**  
**WITH GOOSENECK SPOUT**

**CODES AND STANDARDS**

These products meet or exceed the following codes and standards:

- ASME A112.18.1**
- CSA B125.1**
- NSF 61/Section 9**
- NSF 372**



Product Number	Description	Finish
		Polished Chrome
		002
7830.372H	Lavatory Faucet. Flexible hose connections for 6" to 12" installations. Rigid goosenecks pout. Metal wrist blade handles with red and blue indexes. 1.5 gpm/5.7L/min pressure compensating aerator. Less drain. Less handles.	



MEETS THE AMERICANS WITH DISABILITIES ACT GUIDELINES AND ANSI A117.1 REQUIREMENTS FOR ACCESSIBLE AND USABLE BUILDING FACILITIES-CHECK LOCAL CODES