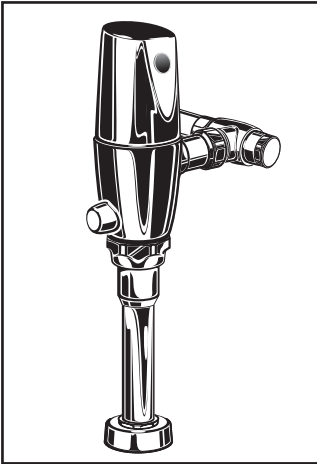


SELECTRONIC® URINAL FLUSH VALVE FOR 1-1/4" TOP SPUD URINALS BATTERY POWERED, SENSOR OPERATED, 1.0 GPF



GENERAL DESCRIPTION:

Exposed, Battery Powered, Sensor Operated Selectronic® Urinal Flush Valve for 1-1/4" top spud urinals.

PRODUCT FEATURES:

- **Factory-Installed CR-P2 Lithium Battery**
- **Pressure Compensation** feature ensures accurate flush volume regardless of inlet water pressure
- **Self-Cleaning Piston** with integral wiper spring significantly reduces clogging and maintenance
- **No Routine Maintenance** no diaphragms to replace; no filters to clean
- **Selectronic® Proximity System** with universal sensor provides hygienic, "hands free" operation
- **State-of-the-Art Electronics** prevent ghost flushing
- **Dezincification Resistant** brass alloy
- **Fully Mechanical Manual Override Button** can flush the valve without power
- **Fail-Safe:** Valve automatically closes upon loss of power or water pressure and does not need to be reset
- **Adjustable Sanitary Flush** cleans the fixture & maintains the trap seal.
- **Stadium Feature:** Valve automatically switches to water savings mode during periods of heavy usage
- **Chemical Resistant EPDM Seals** for extended life
- **High Back Pressure Vacuum Breaker**
- **Adjustable Tailpiece**
- **Range can be adjusted manually or with optional remote control**
- **No external volume adjustment.**
- **Can be installed left or right handed**

MODEL NUMBER:

- ❑ **6062.601.002** Flush Valve for 1-1/4" top spud urinals, 1.0 gpf.

Inlet includes 1" I.P.S. angle stop with back-flow protection, vandal-resistant cap, sweat solder kit, cover tube and wall flange.

Outlet includes 1-1/4" vacuum breaker with adjustable tailpiece, spud coupling and flange.

OPERATING PRESSURE:

Overall Range: 20-80 psi (static)

FLOW REQUIREMENT:

10gpm (37.9 L/min.)

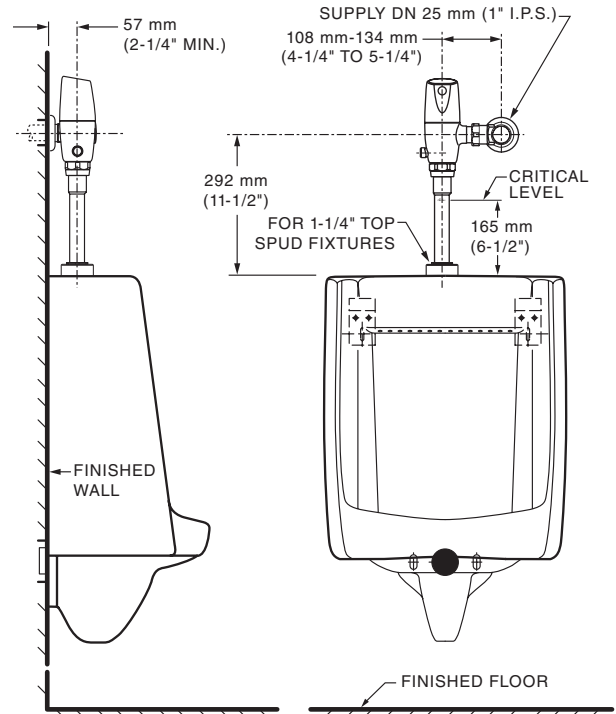
BATTERY LIFE:

Up to 4-year life (approx. 200,000 cycles)

ACCESSORIES:

- Cast wall flanges (1")

TYPICAL URINAL INSTALLATION: LYNBROOK URINAL SHOWN



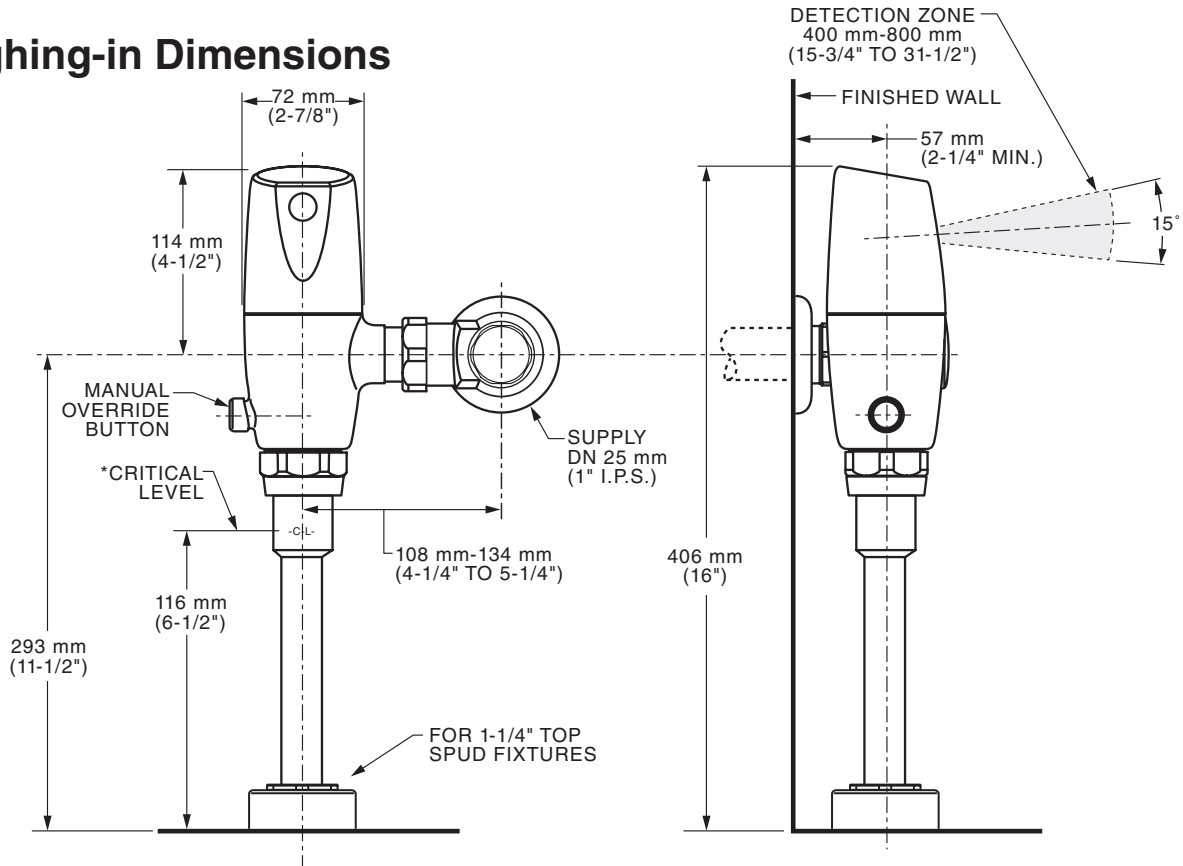
RECOMMENDED SPECIFICATION:

Electronic proximity infrared sensor activated urinal flush valve shall feature self-cleaning piston valve. Includes a fully mechanical manual over-ride that can provide a complete flush without battery power. Includes dezincification-resistant cast brass valve body and metal cover with chrome finish, vandal resistant stop cap and lithium battery. 1" Angle stop with back-flow protection and 1-1/4" vacuum breaker included. 1.0 gpf / 3.8 Lpf Flush valve shall be American Standard Model # 6062.601.002.

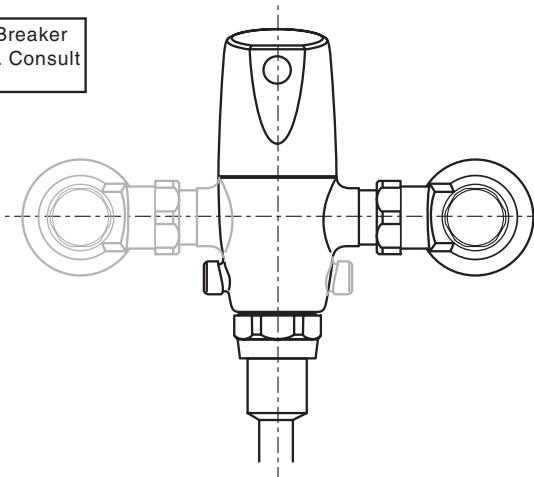
LISTINGS:

- ASSE 1037
- ANSI/ASME A112.19.2
- ADA Compliant

Roughing-in Dimensions



*Note: The Critical Line (-C-L-) on Vacuum Breaker must typically be 6" (152 mm) above fixture. Consult Codes for details.



Right or Left Hand Installation