

COLONY® ROUND FRONT 10" ROUGH TOILET

- ❑ **221DB.104**
 - Vitreous china
 - High Efficiency Toilet (HET), ultra-low consumption (4.8 Lpf/1.28 gpf), utilizes 20% less water
 - Meets EPA WaterSense® criteria
 - PowerWash® rim scrubs bowl with each flush
 - Includes color match bowl caps
 - 2" flush valve
 - 2" trapway
 - 10" (254mm) rough-in
 - Generous 9" x 8" water surface area
 - Color matched trip lever is supplied
 - 2 year warranty



- ❑ **3251D.101** Round Front Bowl
- ❑ **4192B.104** Tank

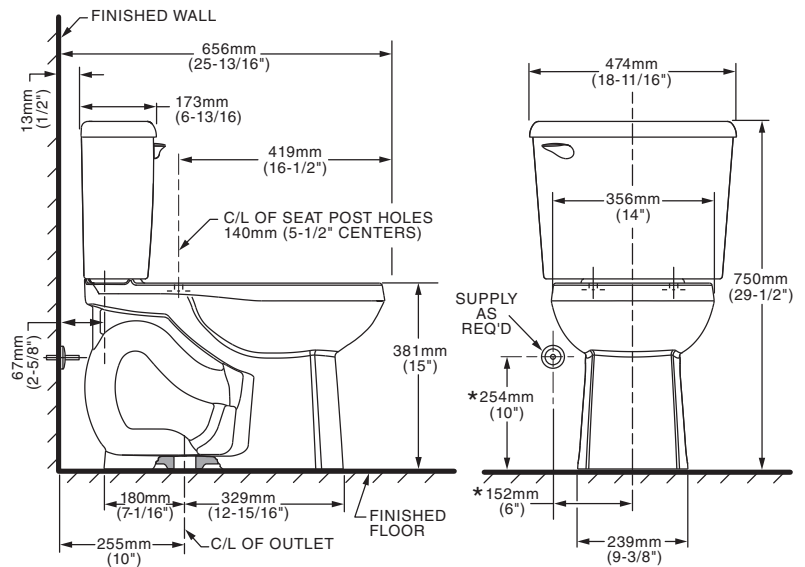
Nominal Dimensions:

656 x 474 x 750mm
(25-13/16" x 18-11/16" x 29-1/2")

Fixture only, seat and supply sold separately

Alternative Tank Configuration Available:

- ❑ **4192B.105** Tank complete with trip lever located on right side



**Compliance Certifications -
Meets or Exceeds the Following Specifications:**

- ASME A112.19.2-2008/CSA B45.1-08 for Vitreous China Fixtures
- US EPA WaterSense® Specification for HETs

NOTES:
THIS TOILET IS DESIGNED TO ROUGH-IN AT A MINIMUM DIMENSION OF 254MM (10") FROM FINISHED WALL TO C/L OF OUTLET. SUPPLY NOT INCLUDED WITH FIXTURE AND MUST BE ORDERED SEPARATELY. * DIMENSION SHOWN FOR LOCATION OF SUPPLY IS SUGGESTED.

IMPORTANT: Dimensions of fixtures are nominal and may vary within the range of tolerances established by ANSI Standard A112.19.2. These measurements are subject to change or cancellation. No responsibility is assumed for use of superseded or voided pages.

To Be Specified:

- ❑ Color: ❑ White ❑ Bone ❑ Linen
- ❑ Seat: American Standard #5322.011 "Rise and Shine" solid plastic closed front round seat with cover
- ❑ Supply with stop:

