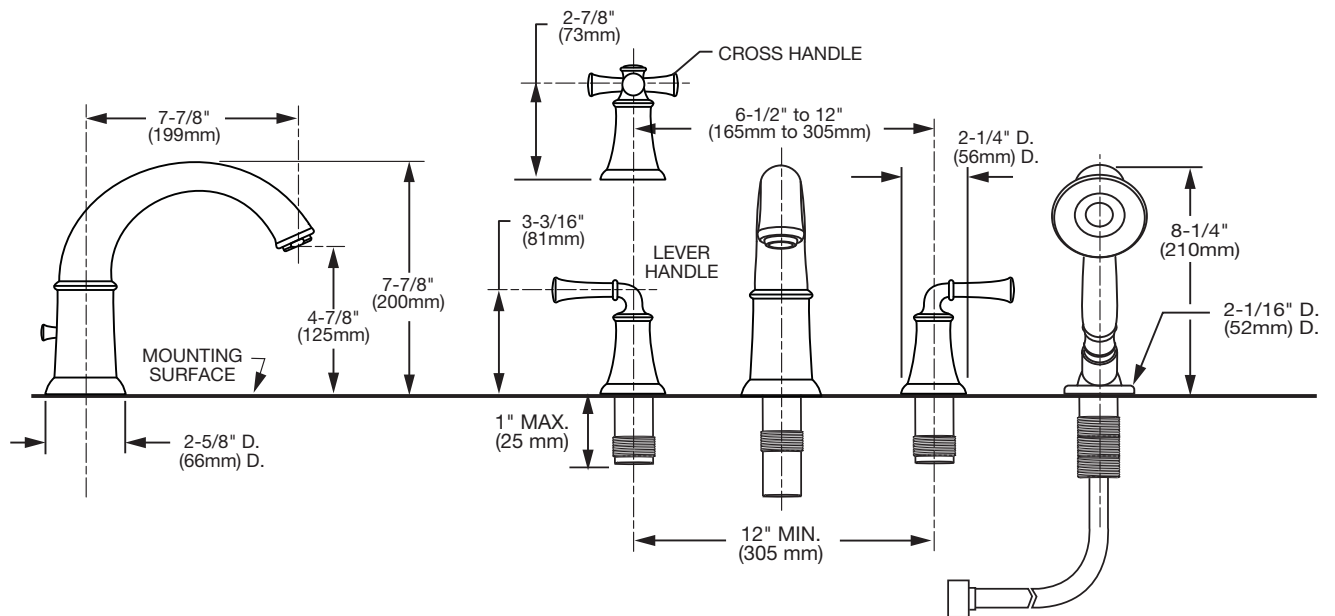


MODEL NUMBER:

- ❑ **T420900 Roman Tub Filler Trim**
LESS Personal Shower. Lever Handles
- ❑ **T420901 Roman Tub Filler Trim**
WITH Personal Shower. Lever Handles
- ❑ **T420920 Roman Tub Filler Trim**
LESS Personal Shower Cross Handles
- ❑ **T420921 Roman Tub Filler Trim**
WITH Personal Shower. Cross Handles

For use with Flash™ rough valves



GENERAL DESCRIPTION:

Installs with Flash rough valve platform. Washerless 1/4 turn ceramic disc valve cartridges. Durable brass spout. Metal lever handles. Trim kit provides an additional 1" installation adjustability for finished deck.

PRODUCT FEATURES:

Brass Construction: Durable. Ideal for prolonged contact with water.

Ceramic Disc Valve Cartridge: Assures a lifetime of drip-free performance.

SUGGESTED SPECIFICATION

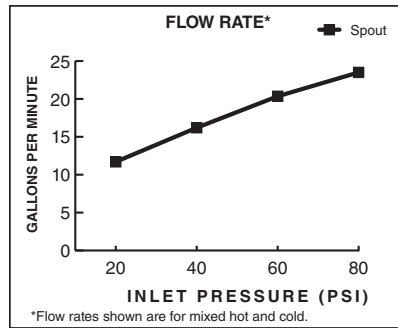
Two handle deck-mount tub filler shall feature cast brass construction. Shall also feature 1/4 turn washerless ceramic disc valve cartridges. Fitting shall be American Standard Model # T4209_____.

CODES AND STANDARDS

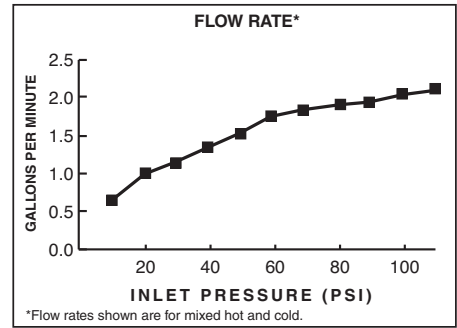
These products meet or exceed the following codes and standards:

ASME A112.18.1
CSA B125.1

Check local plumbing codes.
Some installations may require a vacuum breaker.



TUB SPOUT FLOW

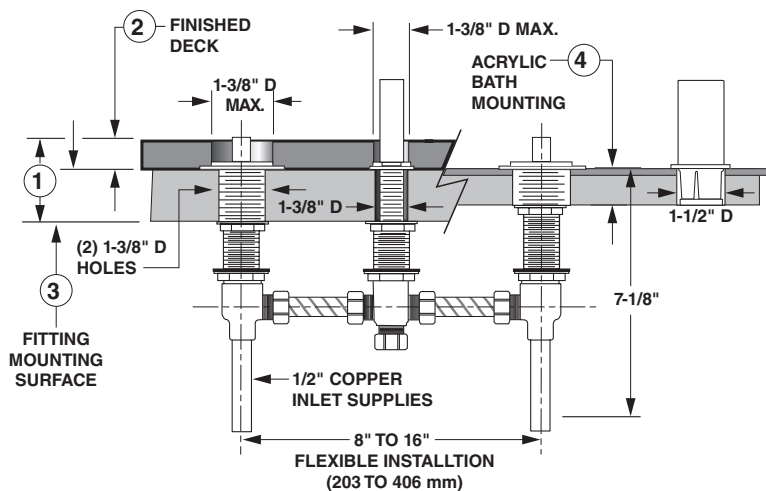


HAND SHOWER FLOW

Product Number	Description	Finish Options	
		Polished Chrome	Brushed Nickel
		002	295
T420900	Roman Tub Filler Trim LESS Personal Shower. Lever Handles.	ADA	
T420901	Roman Tub Filler Trim WITH Personal Shower. Lever Handles.	CEC ADA	
T420920	Roman Tub Filler Trim LESS Personal Shower. Cross Handles.	ADA	
T420921	Roman Tub Filler Trim WITH Personal Shower. Cross Handles.	CEC ADA	

ADA Meets the American Disabilities Act Guidelines and ANSI A117.1 Requirements for the physically challenged.

- ❑ **R900 Flash™ Roman Tub Filler**
Rough Body – Less Personal Shower
- ❑ **R910 Flash Roman Tub Filler**
Rough Body – WITH Personal Shower



- 1. DECK THICKNESS**
TOTAL DECK THICKNESS
UP TO 2-1/2"
- 2. FINISHED DECK**
FINISHED DECK VARIABILITY
ACCOMMODATES DECKING
MATERIAL (TILE, MARBLE,
CORIAN®...) TO 1" THICK
- 3. FITTING MOUNTING SURFACE**
ADJUSTABILITY, TO 1-1/2" THICK
- 4. ACRYLIC BATHS**
ADJUSTABILITY, TO 1-1/2" THICK

