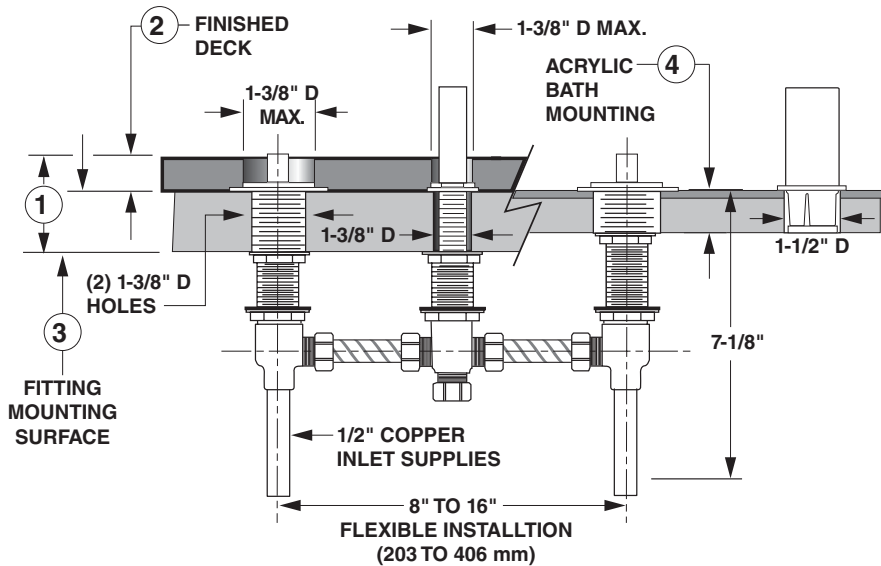
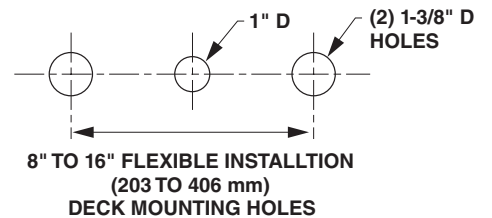


MODEL NUMBER:

- ❑ R900 Flash Roman Tub Filler Rough Body – LESS Personal Shower
- ❑ R910 Flash Roman Tub Filler Rough Body – WITH Personal Shower



- 1. DECK THICKNESS**
TOTAL DECK THICKNESS UP TO 2-1/2"
- 2. FINISHED DECK**
FINISHED DECK VARIABILITY ACCOMMODATES DECKING MATERIAL (TILE, MARBLE, CORIAN®...) TO 1" THICK
- 3. FITTING MOUNTING SURFACE**
ADJUSTABILITY, TO 1-1/2" THICK
- 4. ACRYLIC BATHS**
ADJUSTABILITY, TO 1-1/2" THICK



GENERAL DESCRIPTION:

- Durable Brass Construction
- Flexible installation depth up to 2 1/2"
 - Valve body provides 1 1/2" depth for rough deck
 - Trim kit provides additional 1" adjustability for finished deck
- Flexible installation width for handle spacing
 - includes flexible stainless steel supplies
 - will accept 1/2" (6mm) copper sweat connections
- Test plugs included for water testing without needing trim

PRODUCT FEATURES:

- Brass Construction:** Durable. Ideal for prolonged contact with water.
- Ceramic Disc Valve Cartridge:** Assures a lifetime of drip-free performance.
- Exclusive Handle Alignment System:** Allows fine tuning of handle position.

SUGGESTED SPECIFICATION

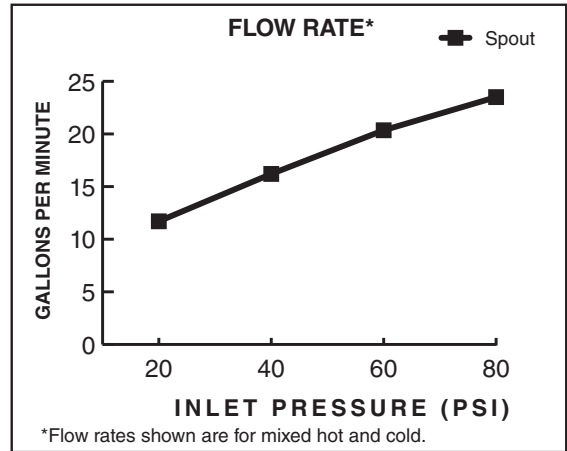
Two handle deck-mount tub filler shall feature cast brass construction. Shall also feature 1/4 turn washerless ceramic disc valve cartridges. Fitting shall be American Standard Model # R9___.

CODES AND STANDARDS

These products meet or exceed the following codes and standards:

ASME A112.18.1
CSA B125.1

Check local plumbing codes. Some installations may require a vacuum breaker.



Product Number	Description	Finish Options
		Unfinished
R900	Flash Roman Tub Filler Rough Valve LESS Shower.	
R910	Flash Roman Tub Filler Rough Valve WITH Shower.	