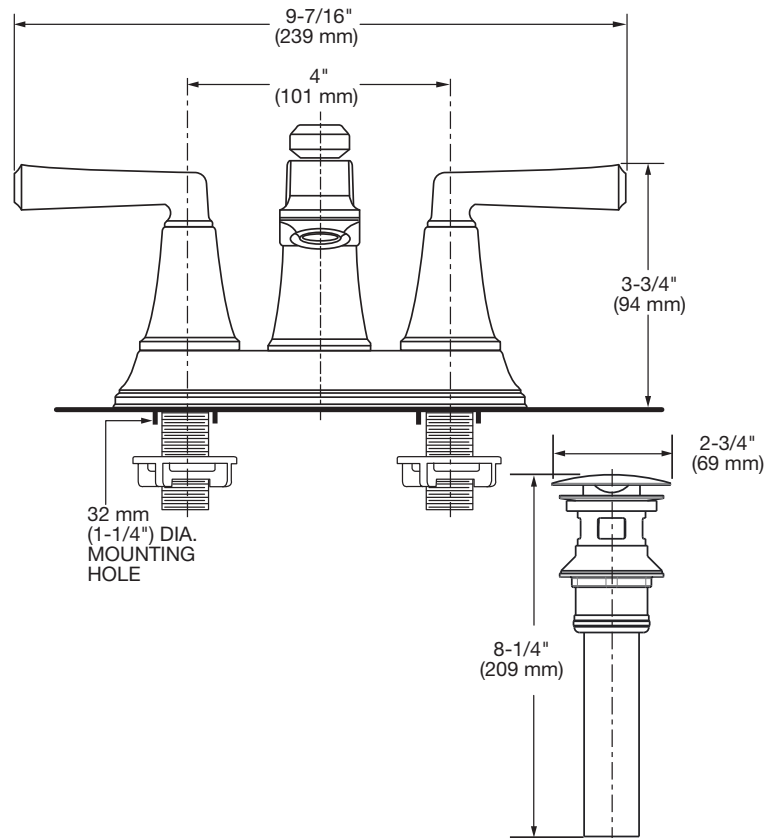
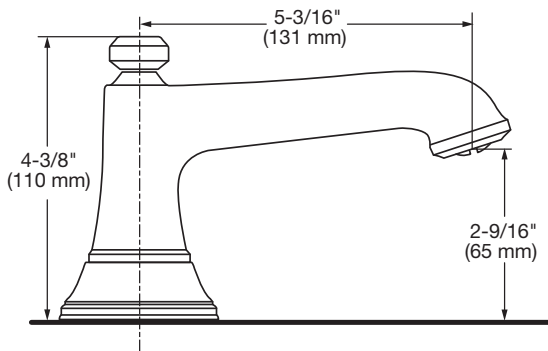


**MODEL NUMBER:**

- ❑ **7455207 - Town Square S Centerset Lavatory Faucet**  
Metal Lever handles. Metal push pop-up drain
- ❑ **7455214 Town Square S Monoblock**  
Red/Blue temp indicator. LESS drain.
- ❑ **7455217 Town Square S Monoblock**  
Red/Blue temp indicator. Metal push pop-up drain.



**GENERAL DESCRIPTION:**

- Centerset lavatory faucet on 4" centers
- 1/4 turn washerless ceramic disc valve cartridges
- Cast brass spout
- 1/2" male inlet shanks
- Metal lever handles
- 1.2 gpm/4.5 L/min maximum flow rate

**PRODUCT FEATURES:**

**Ceramic Disc Valve Cartridge:** Assures a lifetime of drip-free performance.

**Lead Free:** Faucet contains ≤ 0.25% total lead content by weighted average.

**Simple Installation:** Fast and easy one person installation. Faucet drops in from top. Quick spin nuts secure faucet in place.

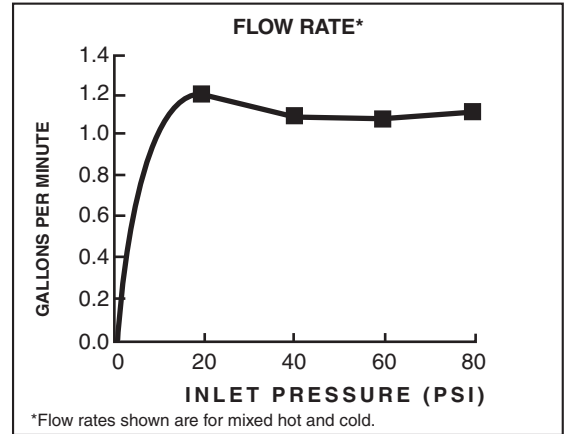
**SUGGESTED SPECIFICATION**


Two-handle 4" centerset lavatory faucet shall feature 1/4 turn washerless ceramic disc valve cartridges. Fitting shall be American Standard Model # 74552xx.\_\_\_\_.

**CODES AND STANDARDS**

These products meet or exceed the following codes and standards:

- ANSI A117.1**
- ASME A112.18.1**
- CSA B125.1**
- NSF 61/Section 9**
- NSF 372**



| Product Number | Description   | Finish Options  |                    |                 |               |
|----------------|---|-----------------|--------------------|-----------------|---------------|
|                |   | Polished Chrome | PVD Brushed Nickel | Polished Nickel | Legacy Bronze |
|                |   | 002             | 295                | 013             | 278           |
| 7455207        | Town Square S Two Handle Centerset.  |                 |                    |                 |               |
| 7455214        | Centerset with Red/Blue markings LESS drain.  |                 | /                  | /               | /             |
| 7455217        | Centerset with Red/Blue markings.   |                 | /                  | /               | /             |

 Meets the American Disabilities Act Guidelines and **ANSI A117.1** Requirements for the physically challenged.