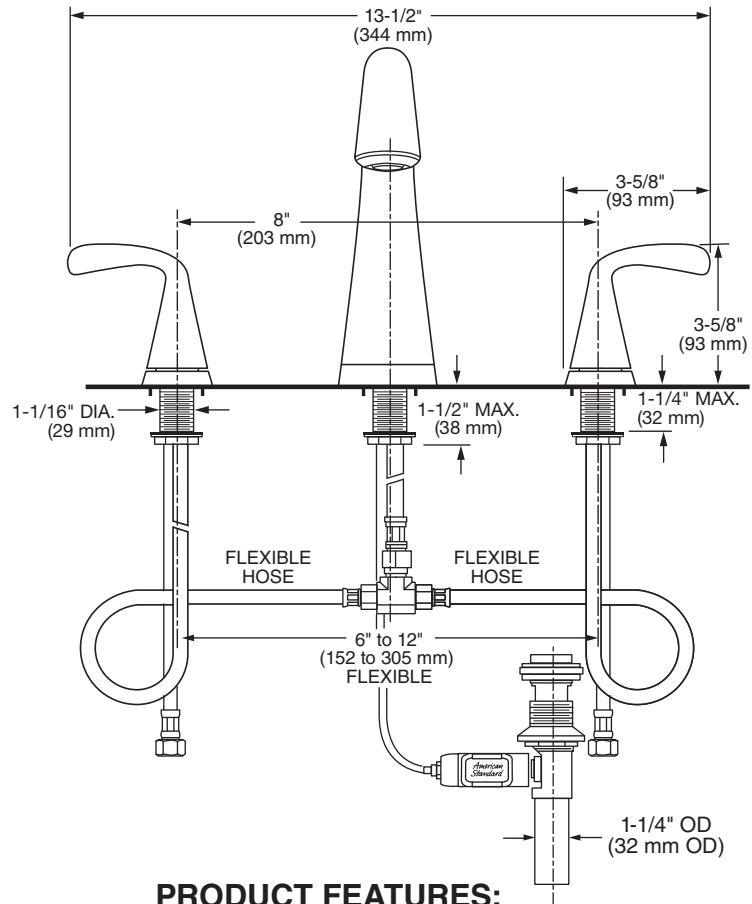
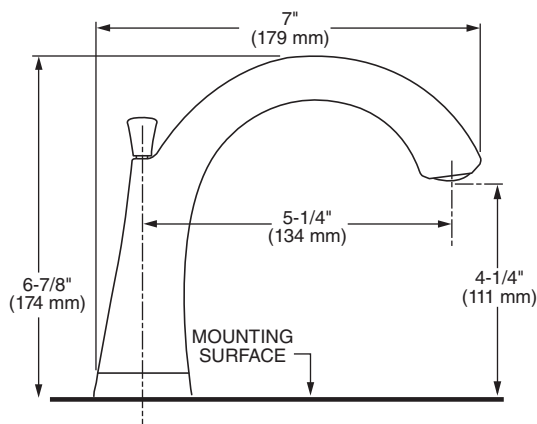


**TWO-HANDLE WIDESPREAD LAVATORY FAUCET**



**GENERAL DESCRIPTION:**

Cast brass valve bodies with flexible hose connections for 6" to 12" (152 mm to 305 mm) installations. 1/4 turn washerless ceramic disc valve cartridges. Cast brass spout. Cast brass inlet shanks and 24" stainless steel braided flexible supply hoses with 3/8" compression connectors. 20 inch (500 mm) long flexible stainless steel drain cable is pre-assembled to faucet body. Metal Speed Connect® drain body with 1-1/4 inch (32 mm) tail piece. 1.2 gpm/4.5 L/min. maximum flow rate.

**PRODUCT FEATURES:**

**Brass Construction:** Durable. Ideal for prolonged contact with water. Provides the finest surface for application of colors and finishes.

**Ceramic Disc Valve Cartridge:** Assures a lifetime of drip-free performance.

**Exclusive Speed Connect Metal Drain:**

- Fewer parts. Installs in less time.
- No adjustments required - seals the first time, every time.
- Flexible stainless steel cable - installs effortlessly in tight spaces.

**Lead Free:** Faucet contains ≤ 0.25% total lead content by weighted average.

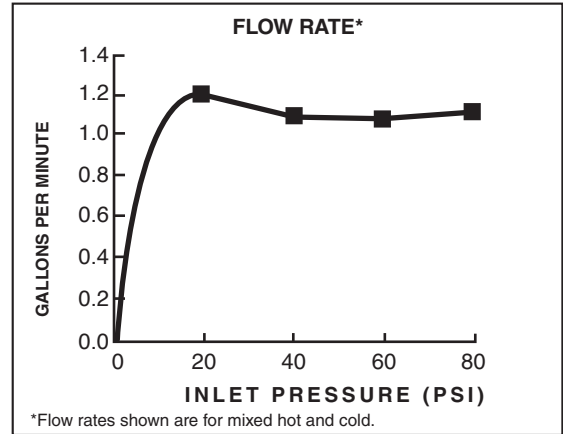
**SUGGESTED SPECIFICATION**

Two-handle widespread lavatory faucet shall feature cast brass valve bodies with flexible hose connections for 6" to 12" installations. Shall also feature 1/4 turn washerless ceramic disc valve cartridges. Shall also feature a metal drain body with stainless steel cable actuation. Fitting shall be American Standard Model #7186.8\_\_\_\_.

**CODES AND STANDARDS**

These products meet or exceed the following codes and standards:

- ANSI A117.1**
- ASME A112.18.1**
- NSF 61/Section 9 and Annex G**
- CSA B125.1**



Product Number	Description		Finish Options		
			Polished Chrome	Oil Rubbed Bronze	PVD Brushed Nickel
			002	224	295
7186.801	Fluent™ Widespread with metal Speed Connect® pop-up drain. Metal lever handles.				
7186.811	Fluent™ Widespread with metal Speed Connect pop-up drain. Metal lever handles with red & blue indicators				

Meets the American Disabilities Act Guidelines and **ANSI A117.1** Requirements for the physically challenged.