

Colony® Right Height® Elongated One-Piece Toilet With Seat

2961A104SC

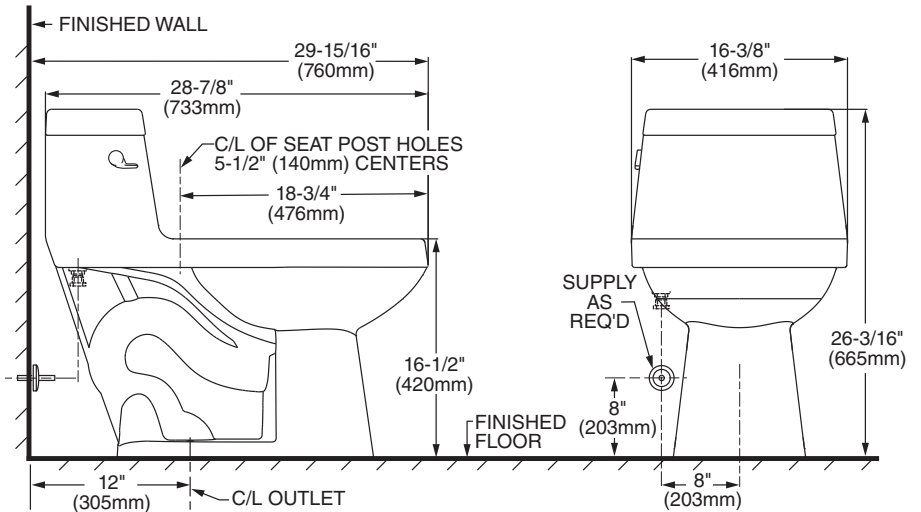
- Vitreous china toilet with seat
- High Efficiency Toilet (4.8 Lpf/1.28 gpf)
- Meets EPA WaterSense® criteria
- Low-profile, one-piece toilet
- Rim height at 16-1/2" (419mm) for accessible applications
- Elongated siphon action bowl
- 3" (76mm) flush valve
- Pilot fill valve
- Includes color-matched slow-close seat and cover
- 2" (51mm) trapway
- Polished chrome, side mounted trip lever
- Two color-matched bolt caps



Nominal Dimensions:

29-15/16" x 16-3/8" x 26-3/16"
(760 x 416 x 665mm)

Fixture only, supply by others



Compliance Certifications -

Meets or Exceeds the Following Specifications:

- ASME A112.19.2M for Vitreous China Fixtures
- US EPA WaterSense® Specification for HETs

To Be Specified:

- Color:
 - White
- Supply with Stop:

NOTES:

THIS TOILET IS DESIGNED TO ROUGH-IN AT A MINIMUM DIMENSION OF 12" (305mm) FROM FINISHED WALL TO C/L OF OUTLET. SUPPLY NOT INCLUDED WITH FIXTURE AND MUST BE ORDERED SEPARATELY. * DIMENSION SHOWN FOR LOCATION OF SUPPLY IS SUGGESTED.

IMPORTANT: Dimensions of fixtures are nominal and may vary within the range of tolerance established by ANSI Standard A112.19.2. These measurements are subject to change or cancellation. No responsibility is assumed for use of superseded or voided pages.

