

**Portsmouth® 30" x 18" ADA Single Bowl  
Stainless Steel Kitchen Sink**

❑ **18SB6301800S.075**

- Single Bowl Stainless Steel kitchen sink
- 18 Gauge Stainless Steel
- 6" depth with offset drain
- Undermount installation
- 33" (838mm) cabinet required
- Includes:
  - 9028000.075 Waste Fitting
  - 791676-100.0070A Undermount Sink Clips
- Features SoundSecure+™ Sound Pads
- Features StoneLock™ Undercoating
- Cutout template and instructions included
- Limited Lifetime Warranty



**Nominal Dimensions:**

29-3/4" x 18" x 6"  
(756 x 457 x 152mm)

**Bowl Size:**

27-3/4" (705mm) wide  
16-1/8" (410mm) front to back  
6" (152mm) deep

SEE REVERSE FOR ROUGHING-IN DIMENSIONS  
AND PRODUCT SPECIFICATIONS

**Compliance Certifications - Meets or  
Exceeds the Following Specifications:**

- ASME A112.19.3

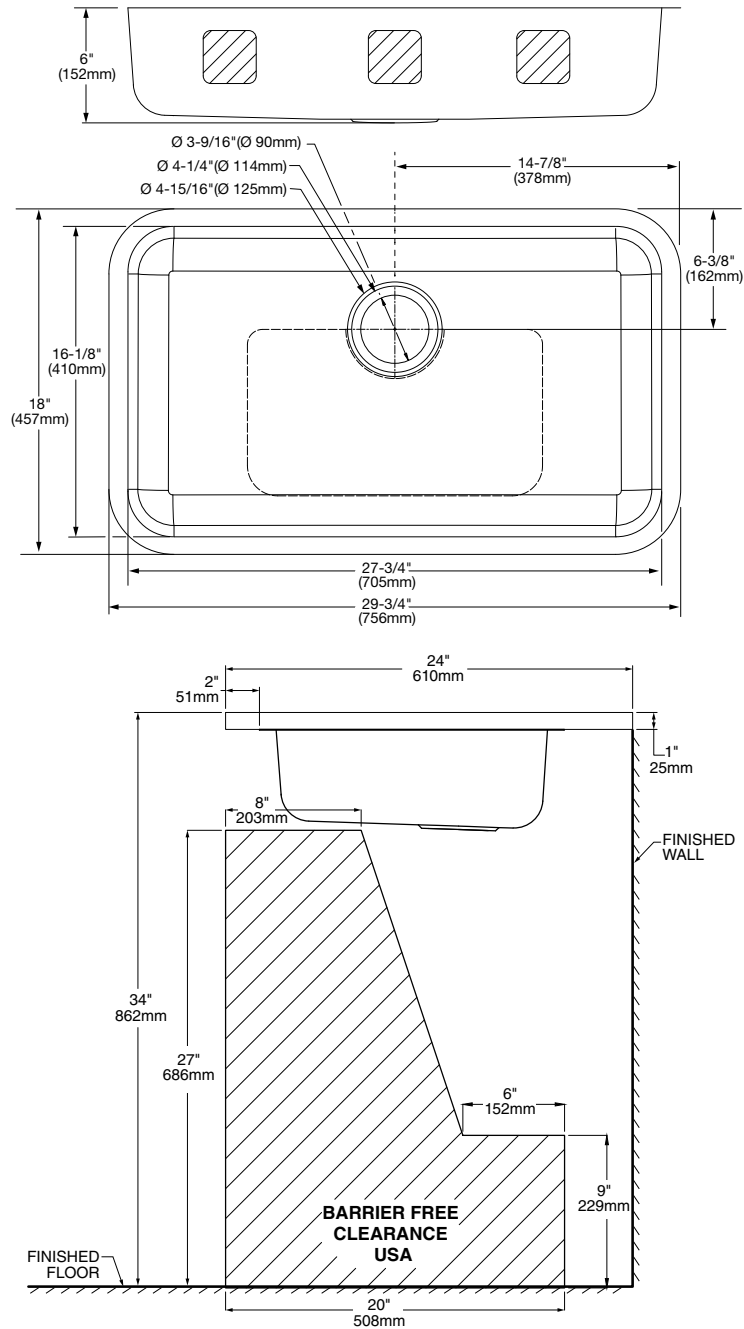
**To Be Specified:**

- ❑ Color: Stainless Steel .075
- ❑ Optional Bottom Grid: 8459.301800.075



Meets the American Disabilities Act Guidelines and ANSI A117.1  
Requirements for the physically challenged.

Portsmouth® 30" x 18" ADA Single Bowl  
Stainless Steel Kitchen Sink  
18 GAUGE STAINLESS STEEL



**To ensure ADA compliance:**

- Counter top thickness not to exceed 1" (25mm) thick and surface mounted 34" (863mm) above the finished floor.
- Product to be installed according to installation instructions, diagrams and requirements outlined.

**NOTES:**

\* DIMENSIONS SHOWN FOR LOCATION OF SUPPLIES AND "P" TRAP ARE SUGGESTED. FITTINGS NOT INCLUDED WITH FIXTURE AND MUST BE ORDERED SEPARATELY. SEALING COMPOUND SUPPLIED BY OTHERS.

**IMPORTANT:** Dimensions of fixtures are nominal and may vary within the range of tolerances established by ASME A112.19.3 / CSA B45.4. These measurements are subject to change or cancellation. No responsibility is assumed for use of superseded or voided pages.