

# TOTO®

# MS814224CUF(G)

## Promenade® II One-Piece Toilet, 1.0GPF

### FEATURES

- Tornado Flush™ system, high-efficiency (1.0GPF/3.8LPF)
- CeFiONtect™ glaze prevents debris from sticking to ceramic surfaces, making them easier to clean
- ADA Compliant
- Universal Height
- One-piece decorative high-profile toilet
- Includes SoftClose® seat SS224
- Chrome trip lever
- 12" Rough-in
- Clear glazed trapway coating

### MODELS

- MS814224CUFG (#01, #03, #11, #12)  
With CeFiONtect ceramic glaze  
Includes SS224 SoftClose seat
- MS814224CUF (#51)  
Without CeFiONtect  
Includes SS224 SoftClose seat
- MS814224CUFRG (#01)  
With right-hand trip lever, CeFiONtect ceramic glaze and SS224 SoftClose seat

### COLORS/FINISHES

- Standard
  - #01 Cotton
  - #03 Bone
  - #11 Colonial White
  - #12 Sedona Beige
  - #51 Ebony (without CeFiONtect)

### PRODUCT SPECIFICATION

The two-piece high-efficiency Tornado Flush system toilet shall be 1.0GPF/3.8LPF. Toilet shall have high-profile tank, elongated front bowl and chrome trip lever. Toilet shall be universal height and ADA compliant when approached from trip lever side. MS814224CUFG model shall have CeFiONtect ceramic glaze. Toilet shall be TOTO Model MS814224CUF\_\_\_\_\_.



**1G** One Gallon Per Flush

**CeFiONtect**

**Tornado Flush**

**U** Universal Height

### CODES/STANDARDS

- Meets and exceeds ASME A112.19.2/CSA B45.1
- Certifications: IAPMO(cUPC), EPA Watersense, State of Massachusetts, City of Los Angeles, and others
- Code compliance: UPC, IPC, NSPC, NPC Canada, and others
- Legislative Compliance: California AB715, California Green Building Code, City of Los Angeles Water Efficiency Ordinance, Buy American Act (BAA)
- ADA compliant (when installed with trip lever located on the approach side)



# MS814224CUF(G)

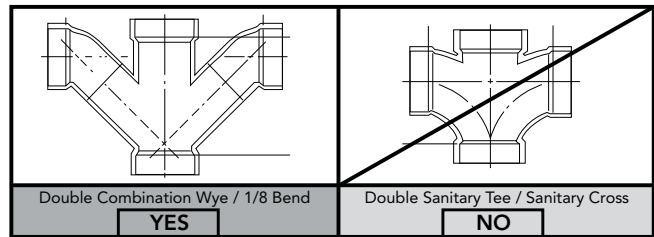
## Promenade® II One-Piece Toilet, 1.0GPF

### SPECIFICATIONS

<b>Water Use</b>	1.0 GPF/3.8LPF
<b>Flush System</b>	Tornado Flush
<b>Min. Water Pressure</b>	8 psi (static)
<b>Water Surface</b>	9" x 6-3/4"
<b>Trap Diameter</b>	2-1/8"
<b>Rough-in</b>	12"
<b>Trap Seal</b>	2-1/4"
<b>Warranty</b>	One Year Limited Warranty
<b>Material</b>	Vitreous china
<b>Shipping Weight</b>	103 lbs
<b>Shipping Dimensions</b>	32" L x 20" W x 17-3/4" H <sup>1</sup> x 28-3/4" H <sup>2</sup>

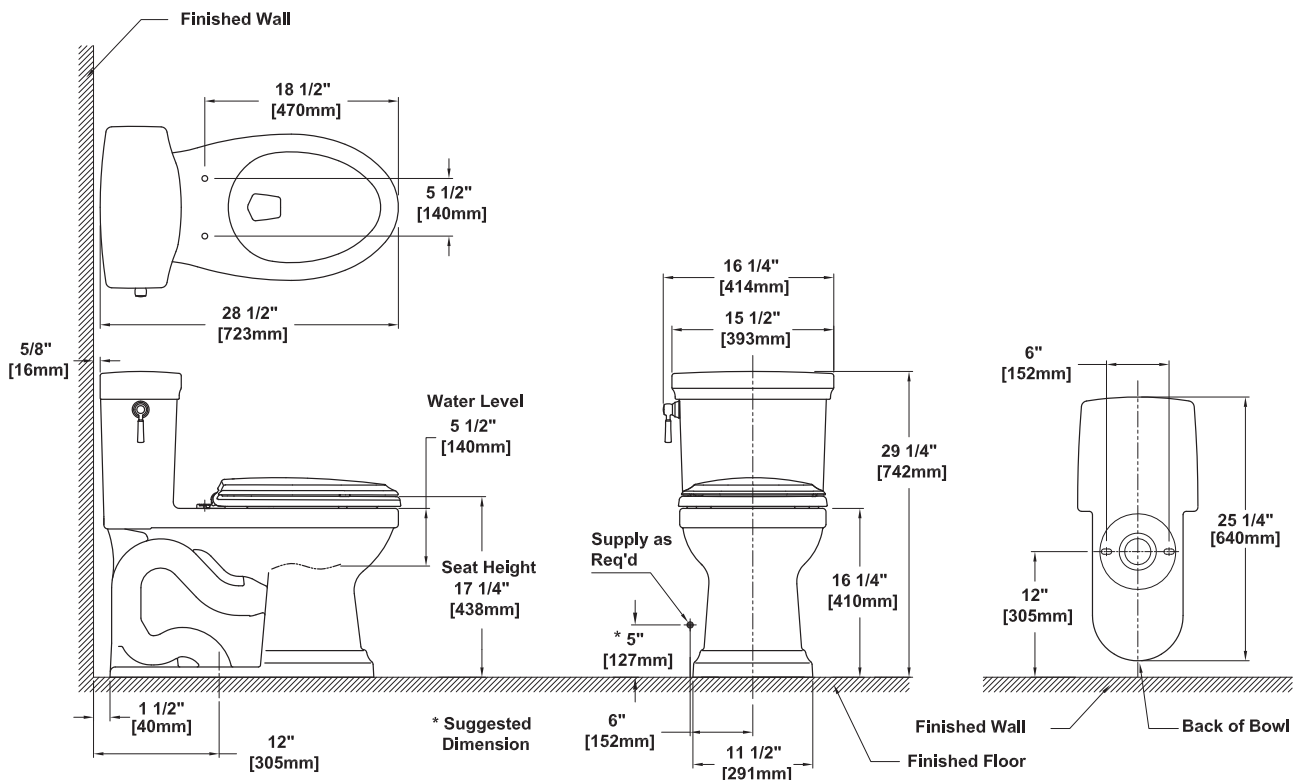
### INSTALLATION NOTES

Back-to-Back Toilet Installations:  
TOTO recommends the use of a nationally listed, double sanitary tee-wye only, in vertical waste stacks, in accordance with the stipulations noted in the majority of nationally recognized plumbing codes.



Ultra-low high efficiency toilets require a system with adequate supplemental flows from other water usage fixtures and a 4" ID drainline with minimum 2% slope and maximum linear runs of 60ft.

### DIMENSIONS



**TOTO**

*These dimensions and specifications are subject to change without notice*