



# DXV MODULUS™

## 3/2 OR 4/3 DIVERTER VALVE TRIM



- Directs water flow between 2 or 3 outlets
- 3/2 Port diverter allows for 1 inlet and 2 outlets
- 4/3 Port diverter allows for 1 inlet and 3 outlets
- 1/2" NPT inlets and outlets

### CODES AND STANDARDS

Meets or Exceeds ASME A112.18.1/CSA B125.1

#### AVAILABLE FINISHES

Polished Chrome  
Brushed Nickel  
Platinum Nickel  
Matte Black

#### FINISH CODE

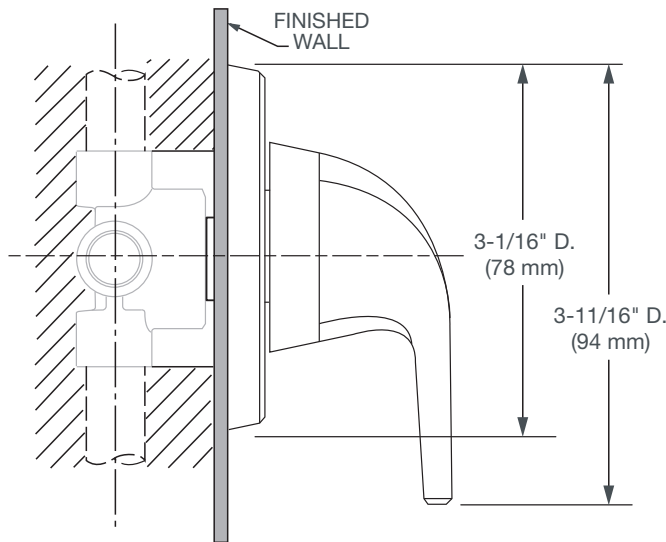
100  
144  
150  
243

#### DESCRIPTION

4/3 or 3/2 Diverter Valve Trim  
3/2 Port Diverter Rough Valve  
(required component)  
4/3 Port Diverter Rough Valve  
(required component)

#### PRODUCT NUMBER

D35120430.XXX  
D35000420.191  
D35000430.191



**IMPORTANT:** These measurements are subject to change or cancellation. No responsibility is assumed for use of superseded or voided pages.

PART OF LIXIL



Meets the Americans with Disabilities Act Guidelines and ANSI A117.1 Requirements for the physically challenged.