



EQUILITY™ (Formerly LYNDON®)

WALL MOUNT FAUCET



- Cast brass spout
- Ceramic disc valve cartridge
- Distinct handle design
- Lead Free - faucet contains $\leq 0.25\%$ total lead content by weighted volume
- Maximum flow rate: 1.5 gpm (7.5 L/min)
- Low flow rate: 1.2 gpm (4.5 L/min)

CODES AND STANDARDS

Meets or Exceeds ASME A112.18.1/
CSA B125.1/NSF 61/Section 9

EPA WaterSense® Certified

Certified Compliant with $\leq 0.25\%$ Weighted
Average Lead Content Regulations

AVAILABLE FINISHES

Polished Chrome
Brushed Nickel
Matte Black

FINISH CODE

100
144
243

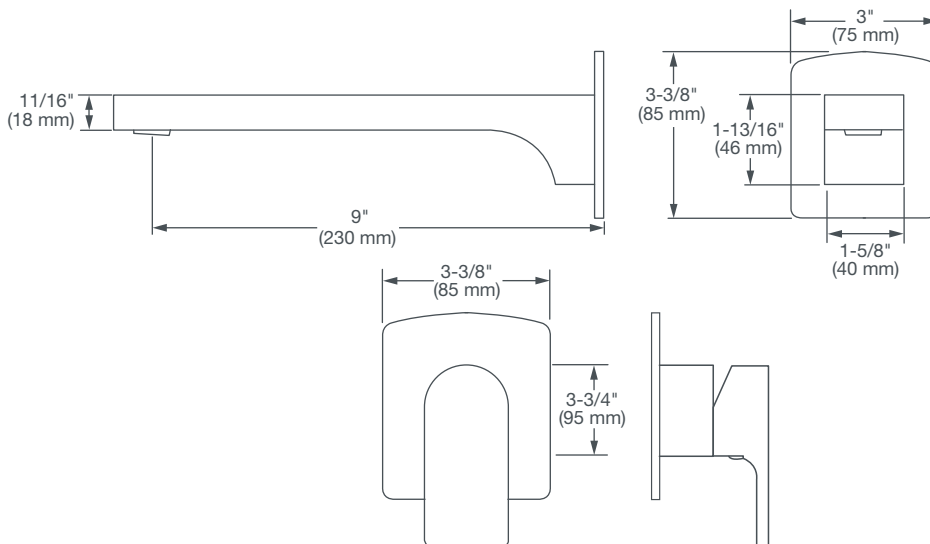
DESCRIPTION

1.5 GPM (7.5 L/min)
Wall Mount Faucet
1.2 gpm (4.5 L/min)
Wall Mount Faucet

PRODUCT NUMBER

★ D35109400.XXX

D3510940C.XXX



IMPORTANT: These measurements are subject to change or cancellation.
No responsibility is assumed for use of superseded or voided pages.

★DISCONTINUED. Available while supplies last.

PART OF LIXIL



Meets the Americans with Disabilities Act
Guidelines and ANSI A117.1 Requirements
for the physically challenged.