



PERCY[®]

PRESSURE BALANCE TUB/SHOWER VALVE TRIM WITH DIVERTER



- Contemporary design with industrial elegance
- Cast brass valve with built-in check stops
- Ceramic disc valve cartridge
- Adjustable hot limit safety stop
- Pressure balance cartridge maintains constant output temperature in response to changes in relative hot and cold supply pressures
- Integral diverter
- Concealed mounting hardware

CODES AND STANDARDS

Meets or Exceeds ASME A112.18.1/CSA B125.1/ASSE 1016

AVAILABLE FINISHES

- Polished Chrome
- Brushed Nickel

FINISH CODE

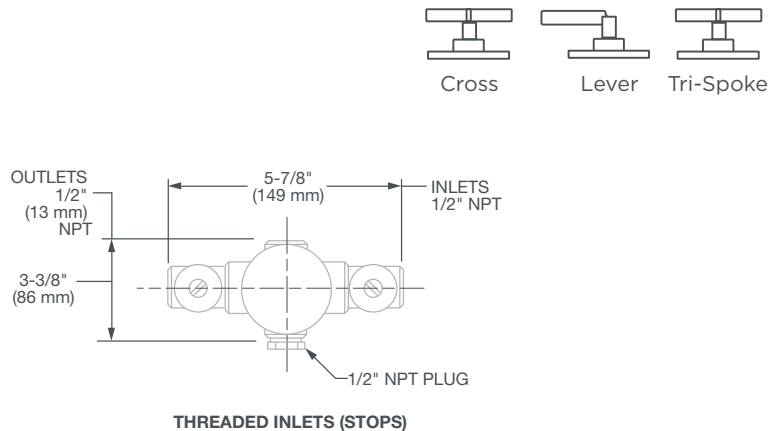
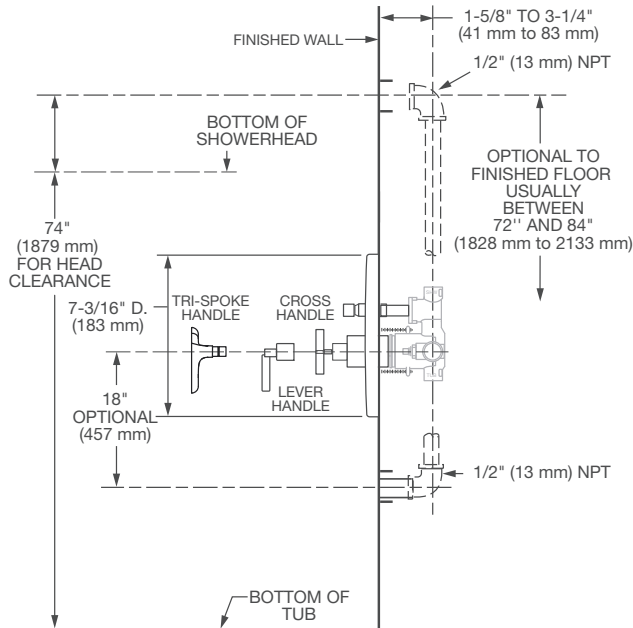
- 100
- 144

DESCRIPTION

- Pressure Balance Tub/Shower Trim
- Cross Handle
- Lever Handle (ADA only)
- Tri-Spoke Handles (ADA only)
- Pressure Balance Tub/Shower Rough Valve (required component)

PRODUCT NUMBER

- D35105640.XXX
- D35105600.XXX
- D35105670.XXX
- D35000600.191



IMPORTANT: These measurements are subject to change or cancellation. No responsibility is assumed for use of superseded or voided pages.

PART OF LIXIL



Meets the Americans with Disabilities Act Guidelines and ANSI A117.1 Requirements for the physically challenged.