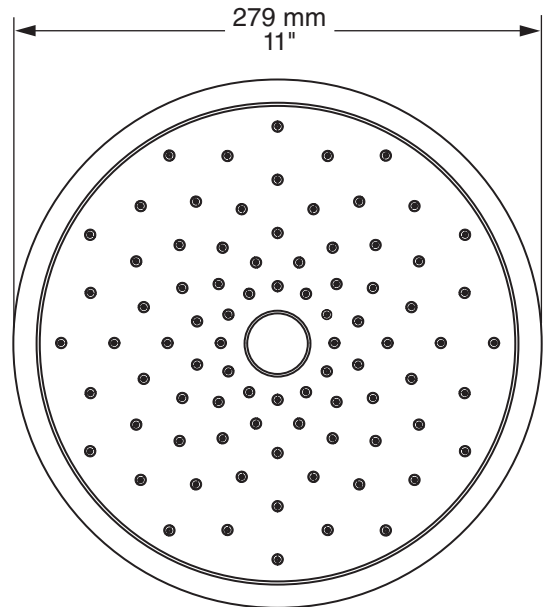
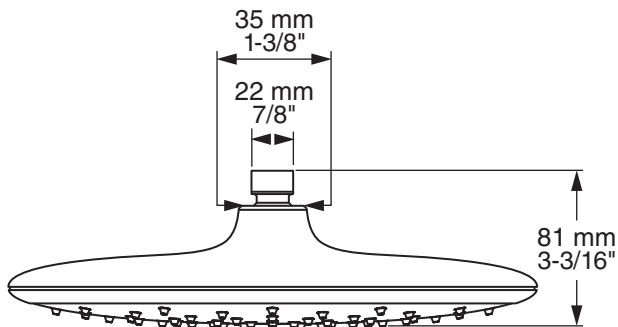


MODEL NUMBER:

□ 9038.001- Spectra™ 11" Rain Shower



GENERAL DESCRIPTION:

11" (280 mm) showerhead. Single function Drench spray. Includes pressure compensating flow control device. Brass ball joint. Easy clean spray nozzles. 1/2" NPT connection. 1.8 gpm/6.8 L/min. maximum flow rate.

PRODUCT FEATURES:

Drench Spray: Gives the user a drenching shower similar to a rain downpour.

Pressure Compensating Flow Control Device: Provides consistent flow over a wide pressure range.

Easy Clean Spray Nozzles: Easily clean lime and calcium build up.

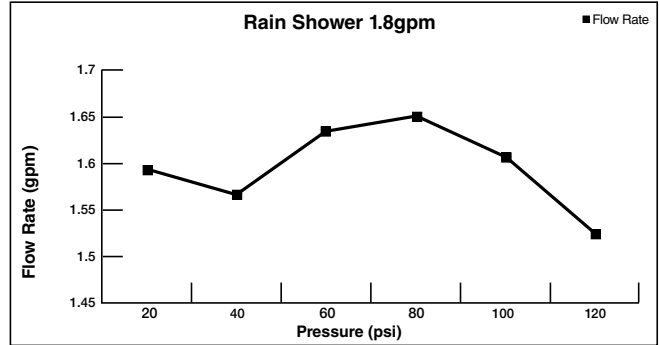
SUGGESTED SPECIFICATION

Showerhead shall have a Drench spray and brass ball joint. Showerhead shall have a pressure compensating control device. Fitting shall be American Standard Model # 9038.001.____.





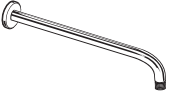
CODES AND STANDARDS

These products meet or exceed the following codes and standards:

- ASME A112.18.1**
- CSA B125.1**
- EPA WaterSense**



Product Number	Description	Finish Options				
		Polished Chrome	Brushed Nickel	Polished Nickel (PVD)	Legacy Bronze	Matte Black
		002	295	013	278	243
9038.001	Spectra™ 1 function 11" Rain shower.					

Showerhead Accessories		
Product Number	Description	
1660.103	3" Ceiling Mount Shower Arm	
1660.186	6" Ceiling Mount Shower Arm	
1660.190	12" Ceiling Mount Shower Arm	
1660.194	12" Wall Mount Right Angle Shower Arm	
1660.118	18" Wall Mount Right Angle Shower Arm	
1660.191	Square Shower Arm Escutcheon	