

Widespread Lavatory Faucet

890

Features

- Solid brass construction
- Brass valve bodies
- Quarter-turn washerless ceramic disc valve cartridges
- ADA compliant traditional lever handles
- Spout assembly with integral supply hoses
- Pop-up drain with tailpiece
- 1-3/8" (3.5 cm) spout height at outlet
- 4-3/4" (12.1 cm) spout reach (c-c)
- For 8" (20.3 cm) centers - Maximum 20" (50.8 cm)
- 1.2 gallons (4.5 liters) per minute maximum flow rate

Codes / Standards Compliance

Meets or exceeds the following at date of manufacture:

- ASME A112.18.1/CSA B125.1
- IAPMO/cUPC
- IPC
- NSF 61
- ADA
- ICC/ANSI A117.1
- Energy Policy Act of 1992
- All applicable US Federal and State material regulations
- EPA WaterSense®



Colors / Finishes

- 10B: Oil Rubbed Bronze
- 15: Polished Nickel
- 15S: Satin Nickel - PVD
- 26: Polished Chrome
- Other: Refer to the Newport Brass catalog for additional color/finish options.

Specified Model

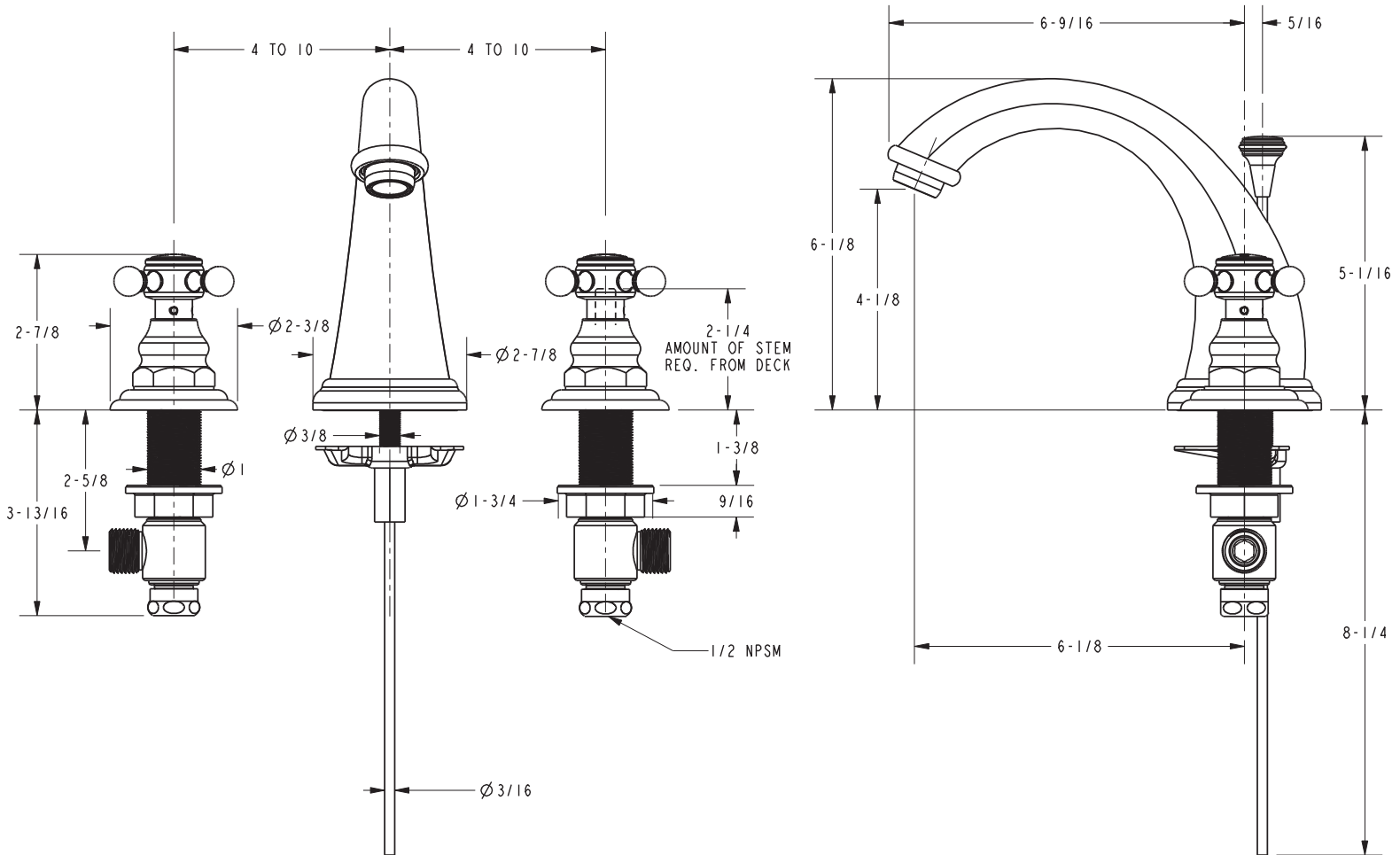
Model	Description	Colors Finishes
890	Widespread Lavatory Faucet	<input type="checkbox"/> 10B <input type="checkbox"/> 15 <input type="checkbox"/> 15S <input type="checkbox"/> 26 <input type="checkbox"/> Other

Product Specification: Add "Color / Finish" suffix to Model number, below.

The two-handle Widespread Lavatory Faucet shall be made of solid brass construction. Faucet shall incorporate a spout assembly with integral supply hoses and feature brass valve bodies with quarter-turn washerless ceramic disc valve cartridges. Faucet shall have a 1.2 gallons (4.5 liters) per minute maximum flow rate. Product shall be for 8" (20.3 cm) centers - Maximum 20" (50.8 cm). Product shall incorporate a 1-3/8" (3.5 cm) spout height at outlet and a 4-3/4" (12.1 cm) spout reach (c-c). Faucet shall include a pop-up drain with tailpiece and incorporate ADA compliant traditional lever handles. Widespread Lavatory Faucet shall be Newport Brass Model 980/____ .

890

PRODUCT DIMENSIONS *(Units are in inches)*



Alveston Widespread Lavatory Faucet 890