

ANNABELLA

Prep Sink / Bar Faucet

808



Features

- Solid brass construction
- Forged brass body with integral rotating spout and handles
- Quarter-turn washerless ceramic disc valve cartridges
- ADA compliant traditional lever handles
- Rotating spout assembly with integral supply hoses
- 7-1/2" (19.1 cm) spout height at outlet
- 5-1/4" (13.3 cm) spout reach (c-c)
- For 4" (10.2 cm) centers
- 1.5 gallons (5.7 liters) per minute maximum flow rate

Codes / Standards Compliance

Meets or exceeds the following at date of manufacture:

- ASME A112.18.1/CSA B125.1
- IAPMO/cUPC
- IPC
- NSF 61
- ADA
- ICC/ANSI A117.1
- Energy Policy Act of 1992
- All applicable US Federal and State material regulations



Colors / Finishes

- 10B: Oil Rubbed Bronze
- 15: Polished Nickel
- 15S: Satin Nickel - PVD
- 26: Polished Chrome
- Other: Refer to the Newport Brass catalog for additional color/finish options.

Specified Model

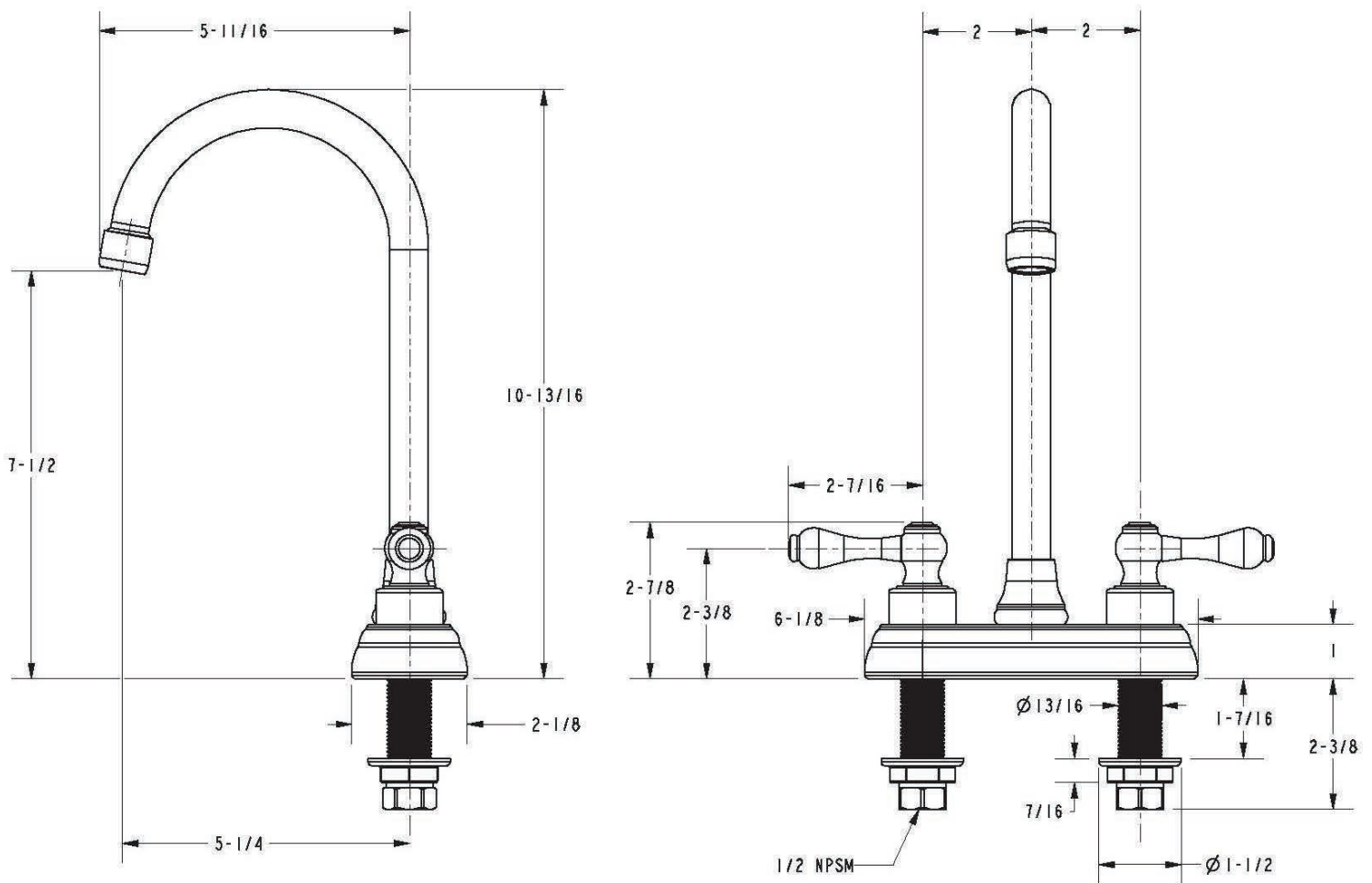
Model	Description	Colors Finishes
808	Centerset Prep Sink/Bar Faucet	<input type="checkbox"/> 10B <input type="checkbox"/> 15 <input type="checkbox"/> 15S <input type="checkbox"/> 26 <input type="checkbox"/> Other

Product Specification: Add "Color / Finish" suffix to Model number, below.

The Centerset Prep Sink / Bar Faucet shall be made of solid brass construction. Faucet shall feature a forged brass body incorporating quarter-turn washerless ceramic disc valve cartridges. Faucet shall have a 1.5 gallon (5.7 liter) per minute maximum flow rate. Product shall be for 4" (10.2 cm) centers. Product shall incorporate a 7-1/2" (19.1 cm) spout height at outlet and a 5-1/4" (13.3 cm) spout reach (c-c). Faucet shall incorporate ADA compliant traditional lever handles. Centerset Prep Sink / Bar Faucet shall be Newport Brass Model 808/____.

808

PRODUCT DIMENSIONS *(Units are in inches)*



Annabella Prep Sink / Bar Faucet 808