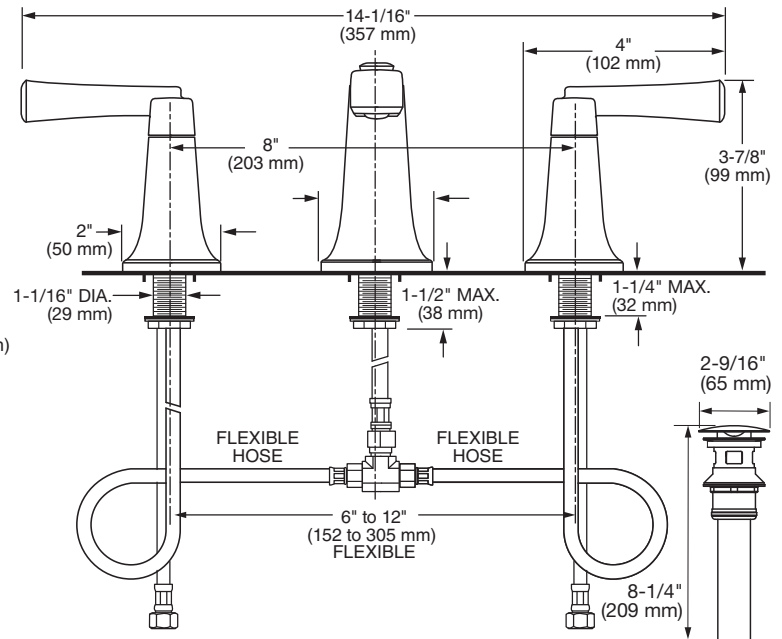
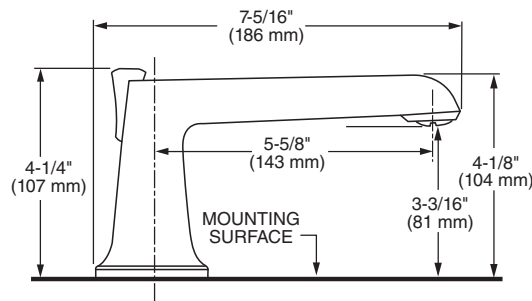


**MODEL NUMBER:**

- **7353.841 Townsend Widespread**  
Brass push pop-up drain. Metal lever handles.



**GENERAL DESCRIPTION:**

Cast brass valve bodies with flexible hose connections for 6" to 12" (152 mm to 305 mm) installations. 1/4 turn washerless ceramic disc valve cartridges. Cast brass spout. Cast brass inlet shanks and 24" stainless steel braided flexible supply hoses with 3/8" compression connectors. 20 inch (500 mm) long flexible stainless steel drain cable is pre-assembled to faucet body. Brass push pop-up drain. 1.2 gpm/4.5 L/min. maximum flow rate.

**PRODUCT FEATURES:**

**Brass Construction:** Durable. Ideal for prolonged contact with water. Provides the finest surface for application of all finishes.

**Ceramic Disc Valve Cartridge:** Assures a lifetime of smooth handle operation and drip-free performance.

**Exclusive Brass push pop-up drain:**

- Brass push pop-up drain.
- Fewer parts. Installs in less time.

**Lead Free:** Faucet contains ≤ 0.25% total lead content by weighted average.

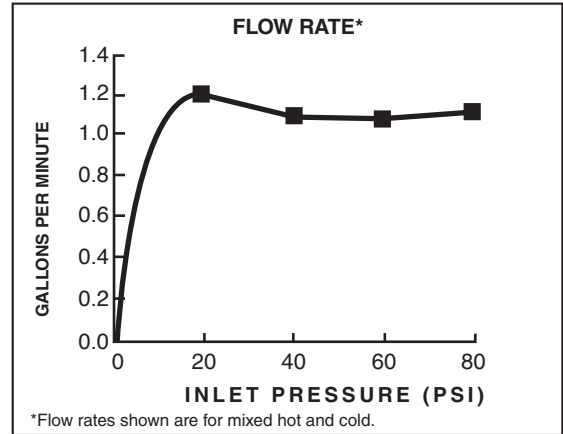
**SUGGESTED SPECIFICATION**


Two-handle widespread lavatory faucet shall feature cast brass valve bodies with flexible hose connections for 6" to 12" installations. Shall also feature 1/4 turn washerless ceramic disc valve cartridges. Shall feature a brass push pop-up drain. Shall also feature a metal drain body with stainless steel cable actuation. Fitting shall be American Standard Model #7353.841.\_\_\_\_\_.

**CODES AND STANDARDS**

These products meet or exceed the following codes and standards:

- ASME A112.18.1**
- CSA B125.1**
- NSF 61/Section 9**
- NSF 372**
- ANSI A117.1**



Product Number	Description	Finish Options				
		Polished Chrome	PVD Polished Nickel	Legacy Bronze	PVD Brushed Nickel	Matte Black
		002	013	278	295	243
7353.841	Townsend Widespread with Brass push pop-up drain. Metal lever handles					

 Meets the American Disabilities Act Guidelines and **ANSI A117.1** Requirements for the physically challenged.