

Basket
503L
Also 599

Features

- Solid brass frame
- Basket extends approximately 4-13/16" from the wall
- Basket has a running length of approximately 18-15/16"
- Accommodates optional Razor Hook (599)

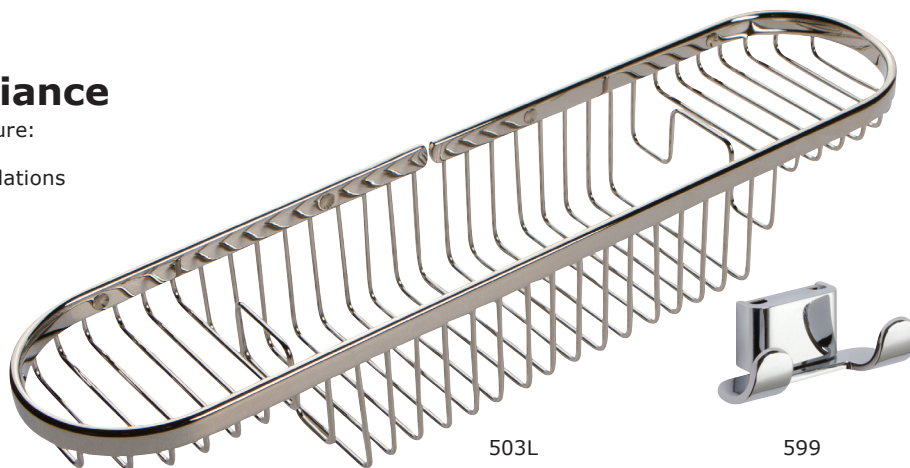
Codes / Standards Compliance

Meets or exceeds the following at date of manufacture:

- All applicable US Federal and State material regulations

Colors / Finishes

- PC: Polished Chrome
- PN: Polished Nickel
- SN: Satin Nickel



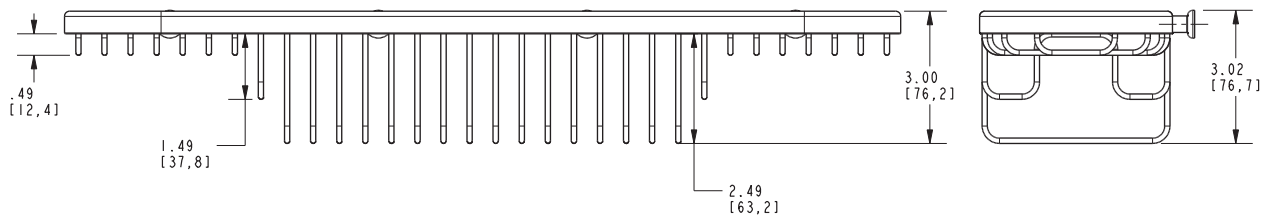
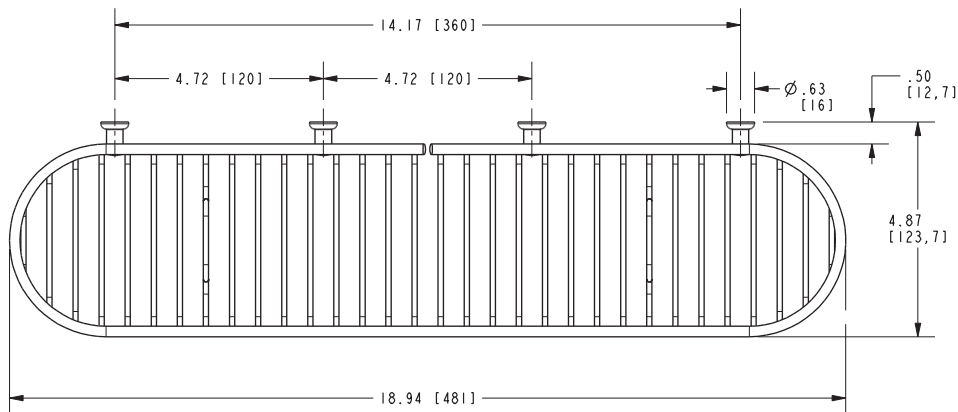
Specified Model

Model	Description	Colors Finishes
503L	Combination Basket	<input type="checkbox"/> PC <input type="checkbox"/> PN <input type="checkbox"/> SN
599	Razor Hook (Optional)	<input type="checkbox"/> PC <input type="checkbox"/> PN <input type="checkbox"/> SN

Product Specification: Add "Color / Finish" Suffix to Model Number Below

The Basket shall be of solid brass construction. Basket Shelf shall incorporate a projected depth of approximately 4-13/16" from the wall a running length of approximately 18-15/16". Basket shall be Ginger Model 503L/____ [and Razor Hook shall be Ginger Model 599/____].

503L



Splashables Basket 503L