

Double Robe Hook
30-13

Features

- Solid brass construction
- Complements Astaire product series

Codes / Standards Compliance

Meets or exceeds the following at date of manufacture:

- All applicable US Federal and State material regulations

Colors / Finishes

- 10B: Oil Rubbed Bronze
- 15: Polished Nickel
- 15S: Satin Nickel - PVD
- 26: Polished Chrome
- Other: Refer to the Newport Brass catalog for additional color/finish options.



Specified Model

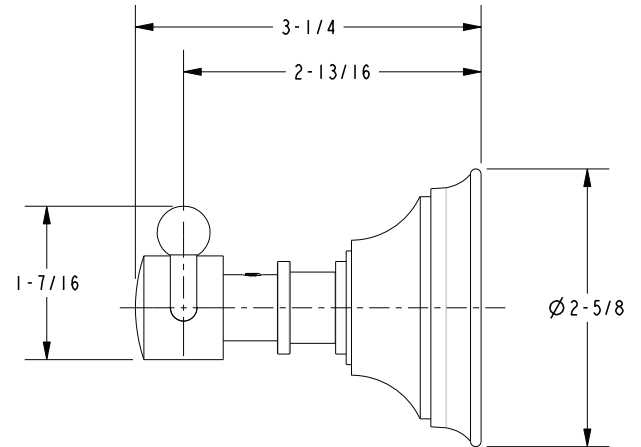
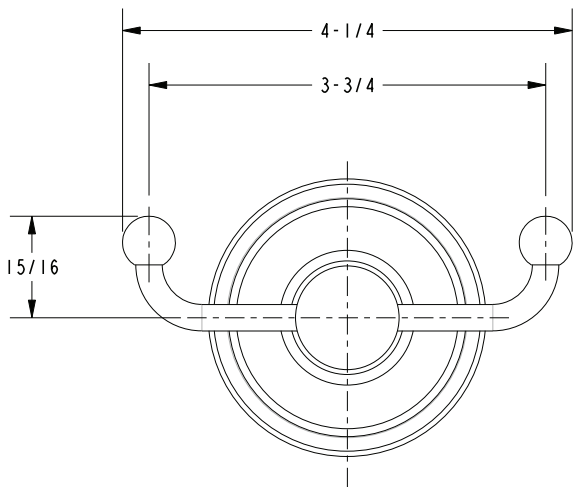
| Model | Description | Colors Finishes |
|-------|------------------|--|
| 30-13 | Double Robe Hook | <input type="checkbox"/> 10B <input type="checkbox"/> 15 <input type="checkbox"/> 15S <input type="checkbox"/> 26 <input type="checkbox"/> Other |

Product Specification: Add size designator and "Color / Finish" suffix to Model number, below.

The Double Robe Hook shall be made of solid brass construction. Double Robe Hook shall complement Newport Brass Astaire product series. Double Robe Hook shall be Newport Brass Model 30-13/_____.

30-13

PRODUCT DIMENSIONS *(Units are in inches)*



Astaire Double Robe Hook
30-13