

**Features**

- Solid brass construction
- ADA compliant traditional lever handles
- 6-11/16" (17.0 cm) spout length
- 1/2" NPT spout inlet fitting
- Intended for use with Newport Brass rough valve as specified (Required Accessory)
- Rough valve incorporates a brass valve body assembly
- Rough valve incorporates quarter-turn washerless ceramic disc valve cartridges

**Wall-Mounted Tub Trim**

**3-2915**



**Codes / Standards Compliance**

Meets or exceeds the following at date of manufacture:

- ASME A112.18.1/CSA B125.1
- IAPMO/cUPC
- IPC
- ADA
- ICC/ANSI A117.1
- All applicable US Federal and State material regulations

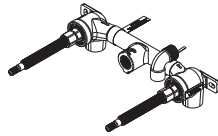
**Colors / Finishes**

- 10B: Oil Rubbed Bronze
- 15: Polished Nickel
- 15S: Satin Nickel - PVD
- 26: Polished Chrome
- Other: Refer to the Newport Brass catalog for additional color/finish options.

**Specified Model**

Model	Description	Colors   Finishes
3-2915	Wall-Mounted Tub Trim	<input type="checkbox"/> 10B <input type="checkbox"/> 15 <input type="checkbox"/> 15S <input type="checkbox"/> 26 <input type="checkbox"/> Other

**Required Accessory**

Application	Tub Only Valve*
Description	2-Cartridge Assembly
Inlet/Outlet Size	1/2"
Part Number	1-500T
Image	

**Product Specification** Add "Color / Finish" suffix to Model number, below.

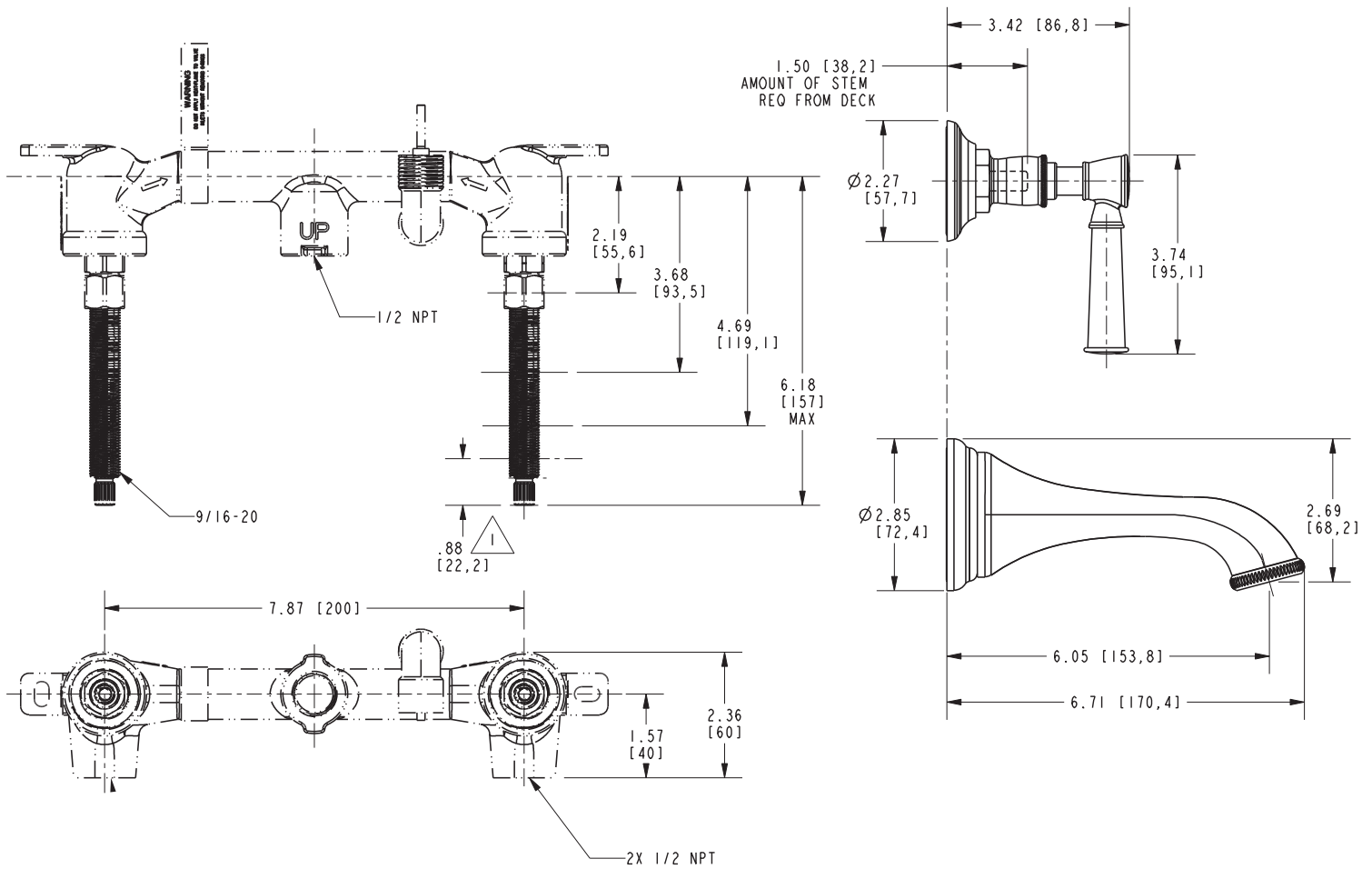
The Wall-Mounted Tub Trim shall be made of solid brass construction. Wall-Mounted Tub Trim shall include ADA compliant lever handles and a 6-11/16" (17.0 cm) tub spout that incorporates a 1/2" NPT inlet fitting. Wall-Mounted Tub Trim shall be Newport Brass Model 3-2915/\_\_\_\_ and Newport Brass rough valve shall be 1-500T.

# 3-2915

## PRODUCT DIMENSIONS *(Units are in inches)*

**NOTE:**

1. CUT ALL THREADS 7/8" SHORTER THAN STEM.



**Vander Wall-Mounted Tub Trim  
3-2915**