

Shower Trim
3-2904BP
Also 3-562

Features

- Solid brass construction
- Face plate with ADA compliant traditional cross handle
- 1.8 gallons (6.7 liters) per minute maximum flow rate showerhead
- ADA compliant traditional cross handle assembly for control valve
- Intended for use with Newport Brass rough valve(s) as specified (Required Accessory)

Codes / Standards Compliance

Meets or exceeds the following at date of manufacture:

- ASME A112.18.1/CSA B125.1
- IAPMO/cUPC
- IPC
- ADA
- ICC/ANSI A117.1
- ASSE 1016
- Energy Policy Act of 1992
- EPA Watersense
- All applicable US Federal and State material regulations

Colors / Finishes

- 10B: Oil Rubbed Bronze
- 15: Polished Nickel
- 15S: Satin Nickel - PVD
- 26: Polished Chrome
- Other: Refer to the Newport Brass catalog for additional color/finish options.



3-562

Specified Model

Model	Description	Colors Finishes				
3-2904BP	Shower Trim	<input type="checkbox"/> 10B	<input type="checkbox"/> 15	<input type="checkbox"/> 15S	<input type="checkbox"/> 26	<input type="checkbox"/> Other
3-562	Diverter/Flow Control Trim	<input type="checkbox"/> 10B	<input type="checkbox"/> 15	<input type="checkbox"/> 15S	<input type="checkbox"/> 26	<input type="checkbox"/> Other

Required Accessory

Application	Shower (or Tub) Valve (Choose One)		Control Valve (Optional)
	Balance Pressure (BP)	Balance Pressure (BP)	Diverter (3/4 Port)
Inlet/Outlet Size	1/2"	1/2"	1/2"
Part Number	1-594	1-684	1-617
Image			

Product Specification Add "Color / Finish" suffix to Model number, below.

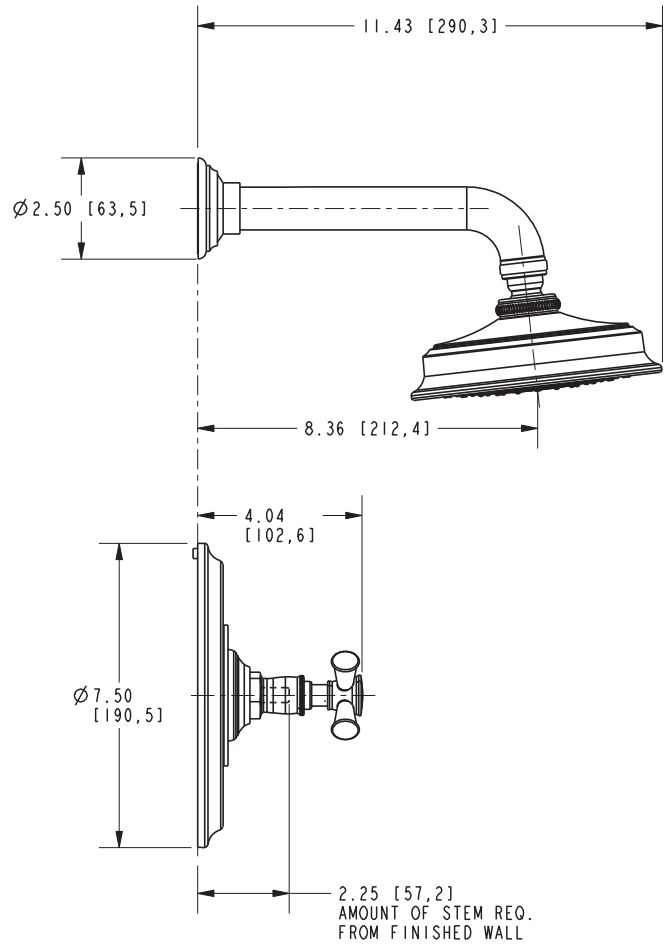
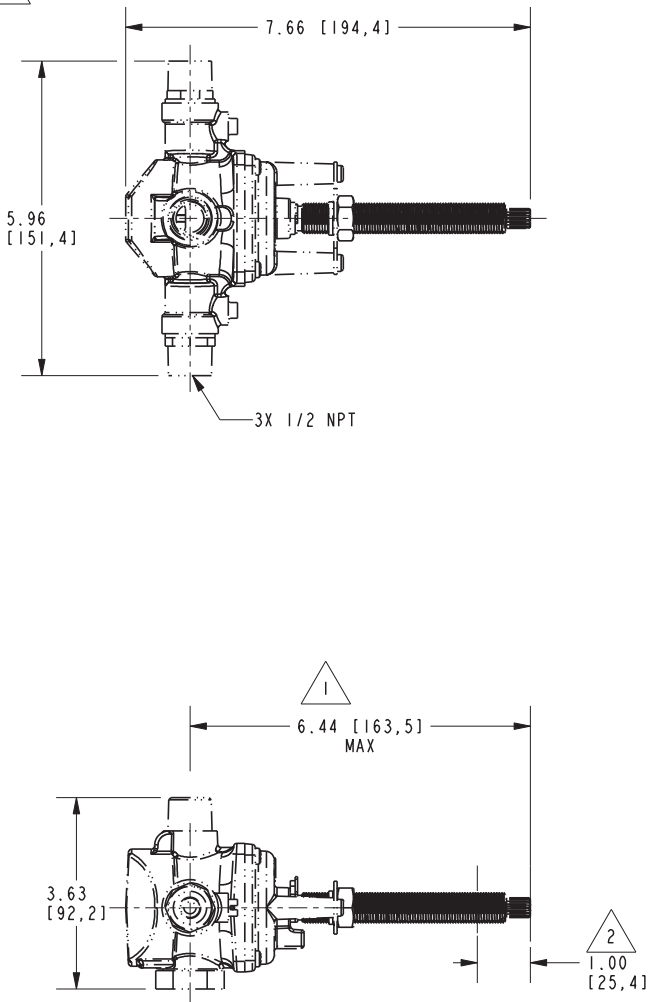
The single-control Shower Trim shall be made of solid brass construction. Shower Trim shall include showerhead with arm and flange and faceplate with ADA compliant handle. Showerhead shall have a maximum flow rate of 1.8 gallons (6.7 liters) per minute. Shower System Control Valve Trim(s) (Escutcheon/Handle) shall be ADA compliant when used with specified Shower System Control Valve. Shower Trim shall be Newport Brass Model 3-2904BP/_____ and single-control Shower rough valve shall be Newport Brass Model 1-_____. [Optional Shower System Control Valve Trim (Escutcheon/Handle) shall be 3-562/_____ and Shower System Control Valve shall be 1-617].

3-2904BP

PRODUCT DIMENSIONS *(Units are in inches)*

NOTE:

1. CUT STEM TO DIMENSION SHOWN
2. CUT ALL THREADS 1" SHORTER THAN STEM



Vander Shower Trim

3-2904BP

Page 2 of 2

Spec_3-2904BP_a_3.18

NEWPORT BRASS
Flawless Beauty. From Faucet to Finish.™

t: 949.417.5207 | www.newportbrass.com
©2016 Brasstech, Inc.