

**Features**

- Solid brass construction
- Face plate with ADA compliant traditional lever handle
- 1.8 gallons (6.7 liters) per minute maximum flow rate showerhead
- ADA compliant traditional lever handle assembly for control valve
- Intended for use with Newport Brass rough valve(s) as specified (Required Accessory)

**Codes / Standards Compliance**

Meets or exceeds the following at date of manufacture:

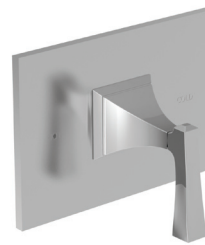
- ASME A112.18.1/CSA B125.1
- IAPMO/cUPC
- IPC
- ADA
- ICC/ANSI A117.1
- ASSE 1016
- Energy Policy Act of 1992
- All applicable US Federal and State material regulations

**Colors / Finishes**

- 10B: Oil Rubbed Bronze
  - 15: Polished Nickel
  - 15S: Satin Nickel - PVD
  - 26: Polished Chrome
- Other: Refer to the Newport Brass catalog for additional color/finish options.

**Shower Trim**  
**3-2574BP**

Also 20-113



20-113

**Specified Model**

Model	Description	Colors   Finishes				
3-2574BP	Shower Trim	<input type="checkbox"/> 10B	<input type="checkbox"/> 15	<input type="checkbox"/> 15S	<input type="checkbox"/> 26	<input type="checkbox"/> Other
20-113	Diverter/Flow Control Trim	<input type="checkbox"/> 10B	<input type="checkbox"/> 15	<input type="checkbox"/> 15S	<input type="checkbox"/> 26	<input type="checkbox"/> Other

**Required Accessory**

Application	Shower (or Tub) Valve (Choose One)		Control Valve (Optional)
	Balance Pressure (BP)	Balance Pressure (BP)	Diverter (3/4 Port)
Description			
Inlet/Outlet Size	1/2"	1/2"	1/2"
Part Number	1-594	1-684	1-617
Image			

**Product Specification** Add "Color / Finish" suffix to Model number, below.

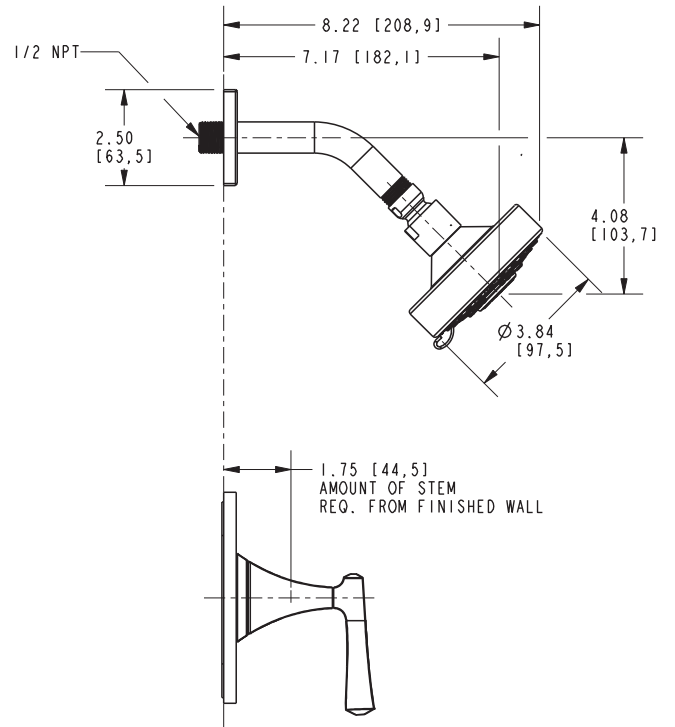
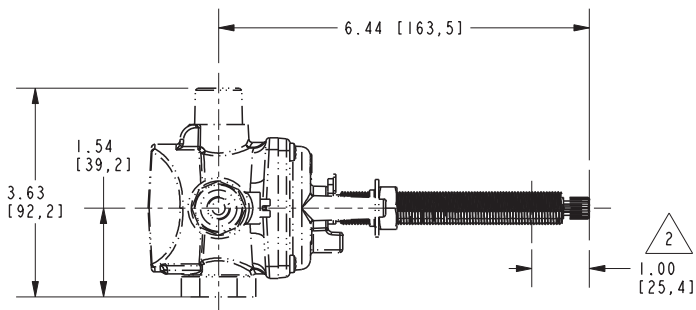
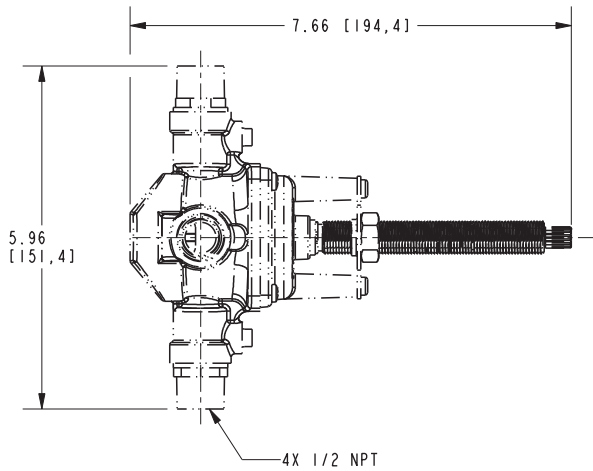
The single-control Shower Trim shall be made of solid brass construction. Shower Trim shall include showerhead with arm and flange and faceplate with ADA compliant handle. Showerhead shall have a maximum flow rate of 1.8 gallons (6.7 liters) per minute. Shower System Control Valve Trim(s) (Escutcheon/Handle) shall be ADA compliant when used with specified Shower System Control Valve. Shower Trim shall be Newport Brass Model 3-2574BP/\_\_\_\_ and single-control Shower rough valve shall be Newport Brass Model 1-\_\_\_\_. [Optional Shower System Control Valve Trim (Escutcheon/Handle) shall be 20-113/\_\_\_\_ and Shower System Control Valve shall be 1-617].

# 3-2574BP

## PRODUCT DIMENSIONS *(Units are in inches)*

NOTES:

1. CUT ALL-THREAD 1" SHORTER THAN STEM.



Joffrey Shower Trim

**3-2574BP**

Page 2 of 2 Spec\_3-2574BP\_a\_3.18

**NEWPORT BRASS**  
Flawless Beauty. From Faucet to Finish.™

t: 949.417.5207 | www.newportbrass.com  
©2016 Brasstech, Inc.