

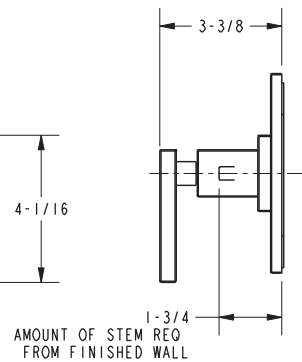
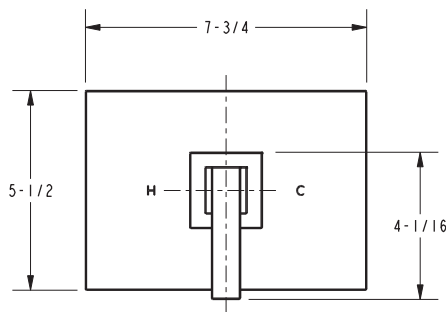
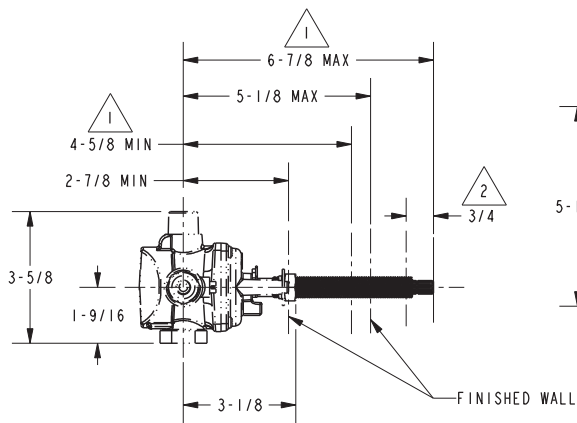
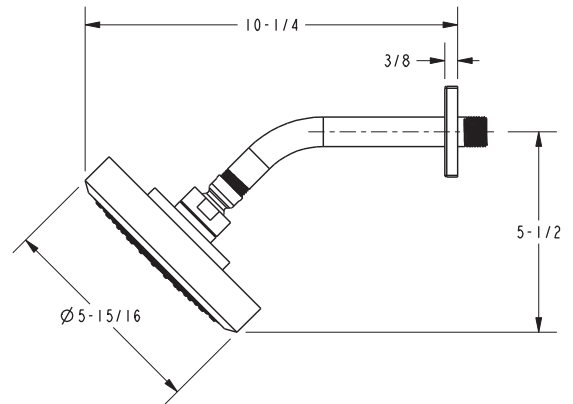
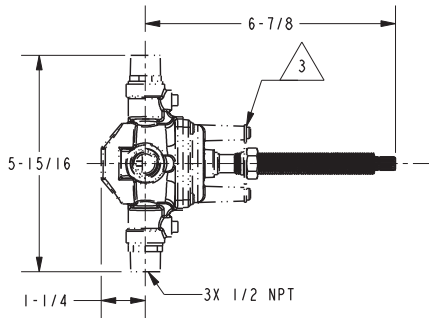


# 3-2044BP

## PRODUCT DIMENSIONS *(Units are in inches)*

NOTES:

- 1. CUT STEM TO DIMENSION SHOWN.
- 2. CUT ALL-THREAD 3/4" SHORTER THAN STEM.
- 3. VALVE, PN: 1-594, SOLD SEPARATELY.



**Secant Shower Trim**  
**3-2044BP**