

# NEWPORT BATH

## Features

- Solid brass construction
- Contemporary styling
- Single function spray
- Rubber nozzles with finished spray surface
- 1/2" NPT inlet elbow fitting
- 2" x 2-1/2" (5.1 cm x 6.4 cm) spray area
- 1.8 GPM (6.8 LPM) Max

## Codes / Standards Compliance

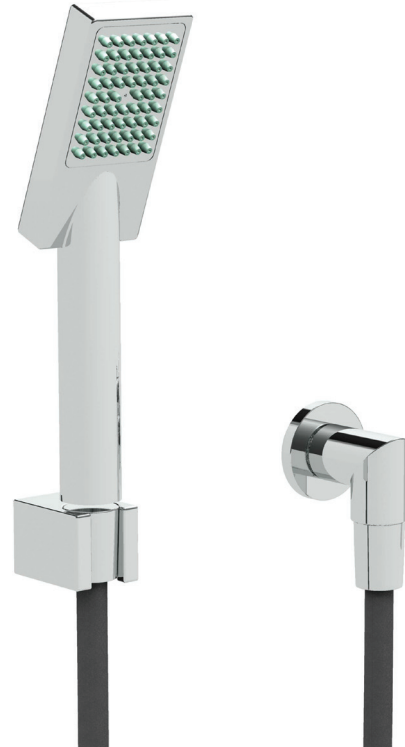
Meets or exceeds the following at date of manufacture:

- ASME A112.18.1/CSA B125.1-18
- IAMPO/cUPC
- IPC
- Energy Policy Act of 1992
- California Energy Commission
- ASME A112.18.3 (Back Flow)
- All applicable US Federal and State material regulations
- Other: This product is NOT watersense certified

## Colors / Finishes

- 10B: Oil Rubbed Bronze
- 15: Polished Nickel
- 15S: Satin Nickel - PVD
- 26: Polished Chrome
- Other: Refer to the Newport Brass catalog for additional color/finish options.

## Handshower Set **280J**



## Specified Model

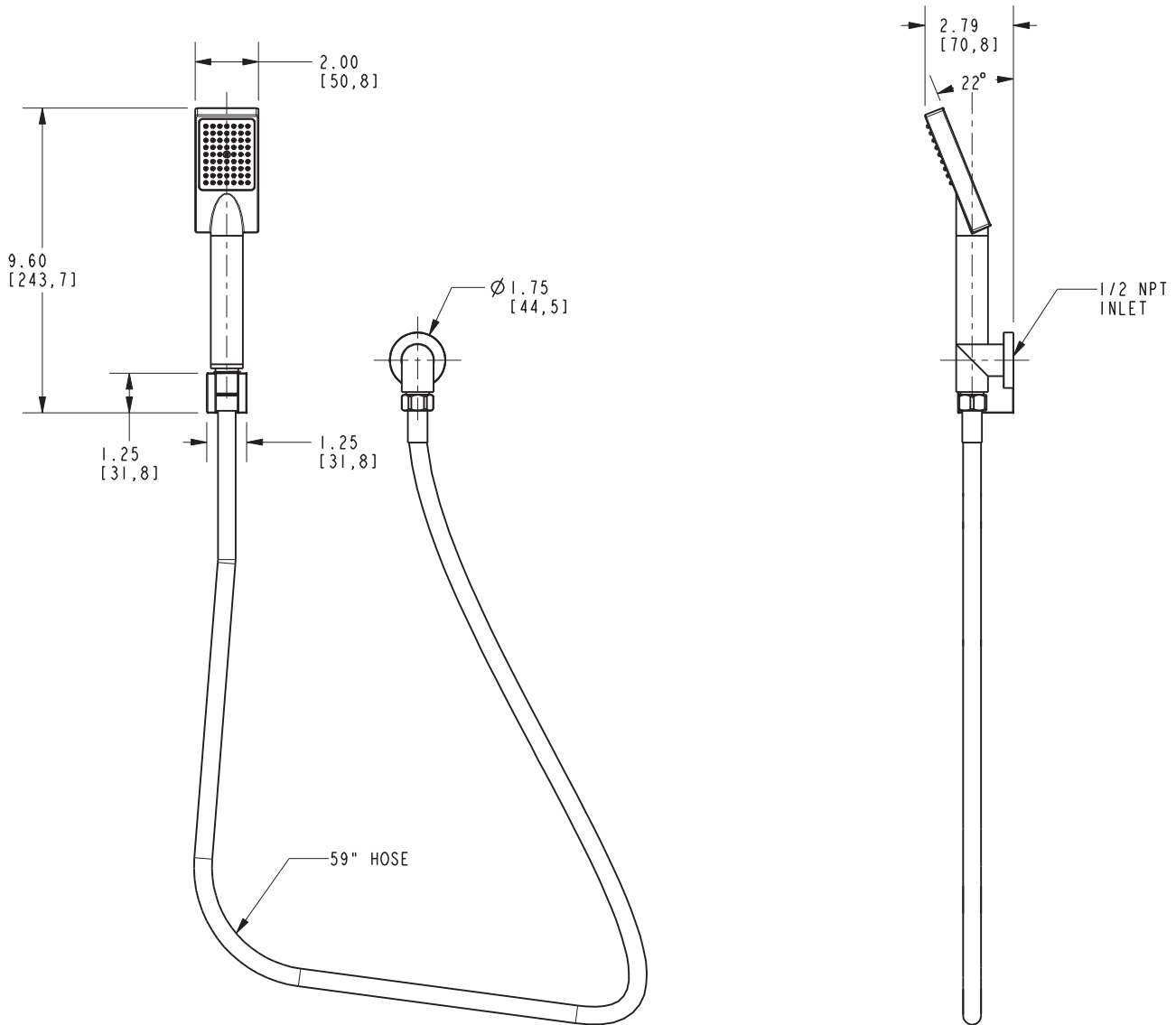
| Model | Description    | Colors   Finishes  |
|-------|----------------|--|
| 280J  | Handshower Set | <input type="checkbox"/> 10B <input type="checkbox"/> 15 <input type="checkbox"/> 15S <input type="checkbox"/> 26 <input type="checkbox"/> Other |

## Product Specification Add "Color / Finish" suffix to Model number, below.

The Handshower Set shall be of solid brass construction. Handshower Set shall have a single function shower engine incorporating rubber nozzles to facilitate easy cleaning. Handshower Set shall incorporate twin back-check valves within the handshower handle. Handshower Set shall have a 1/2" NPT inlet elbow fitting and 2" x 2-1/2" (5.1 cm x 6.4 cm) spray area while operating at 1.8 gallons (6.7 liters) per minute maximum flow rate. Handshower Set shall be Newport Brass Model 280J/\_\_\_\_.

# 280J

Product Dimensions are provided for reference only. For specific product installation guidelines, please reference the Installation Instructions of the product being installed.



## Newport Bath Handshower Set 280J