

JACOBEAN

Single Handle Kitchen Faucet **2470-5303**

Features

- Solid brass construction
- Euro-motion ceramic disc 35 mm valve cartridge
- Side-mounted ADA compliant lever handle
- Independent rotational and pivoting lever handle elements
- Swivel spout assembly
- 7-11/16" (19.5 cm) spout height at outlet
- 9-1/16" (23.0 cm) spout reach (c-c)
- For single hole configurations
- 1.8 gallons (6.8 liters) per minute maximum flow rate

Codes / Standards Compliance

Meets or exceeds the following at date of manufacture:

- ASME A112.18.1/CSA B125.1
- IAPMO/cUPC
- IPC
- NSF 61
- ADA
- ICC/ANSI A117.1
- Energy Policy Act of 1992
- All applicable US Federal and State material regulations



Colors / Finishes

- 10B: Oil Rubbed Bronze
- 15: Polished Nickel
- 15S: Satin Nickel - PVD
- 26: Polished Chrome
- Other: Refer to the Newport Brass catalog for additional color/finish options.

Specified Model

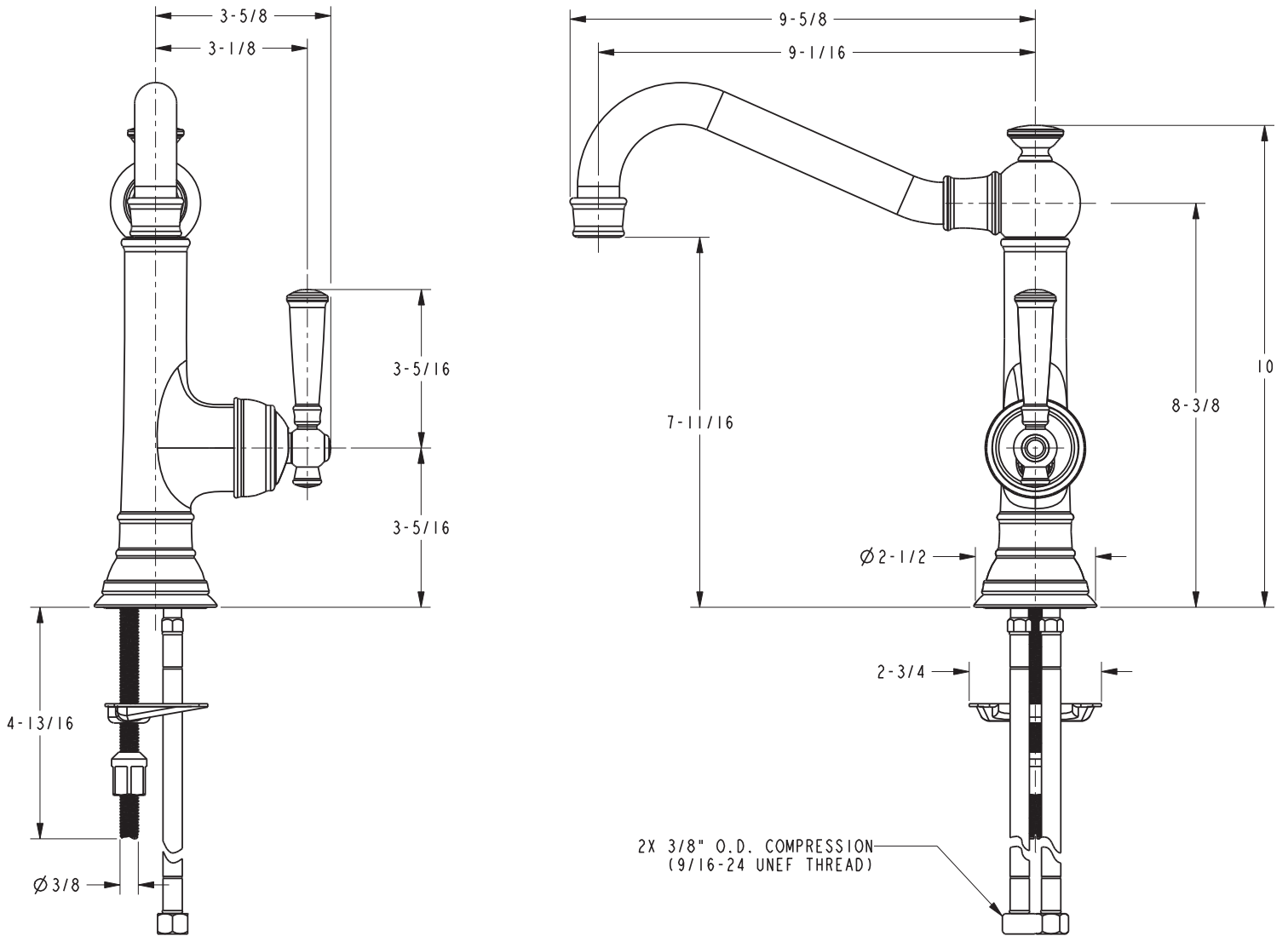
Model	Description	Colors Finishes				
2470-5303	Single Handle Kitchen Faucet	<input type="checkbox"/> 10B	<input type="checkbox"/> 15	<input type="checkbox"/> 15S	<input type="checkbox"/> 26	<input type="checkbox"/> Other

Product Specification Add "Color / Finish" suffix to Model number, below.

The Single-Handle Kitchen Faucet shall be made of solid brass construction. Faucet shall incorporate a swivel spout assembly and feature a Euro-motion ceramic disc 35 mm valve cartridge. Faucet shall have a 1.8 gallons (6.8 liters) per minute maximum flow rate. Product shall require a single hole for installation. Product shall incorporate a 7-11/16" (19.5 cm) spout height at outlet and a 9-1/16" (23.0 cm) spout reach (c-c). Faucet shall incorporate a side-mounted ADA lever handle having Independent rotational and pivoting elements. Single-Handle Kitchen Faucet shall be Newport Brass Model 2470-5303/_____.

2470-5303

PRODUCT DIMENSIONS *(Units are in inches)*



Jacobean Single Handle Kitchen Faucet 2470-5303