

AYLESBURY

Tub and Handshower Set 2400-4282

Features

- Solid brass construction
- Quarter-turn washerless ceramic disc valve cartridges
- ADA compliant traditional hot and cold cross handles with lever diverter
- 3/4" NPT hot and cold inlet fittings
- 8-7/8" (22.5 cm) to 10-1/8" (25.7 cm) tub spout reach (wall-center)
- 2" (5.1 cm) handshower diameter
- 1.8 gallons (6.7 liters) per minute handshower maximum flow rate
- For wall mounted configurations, all is included

3/4" NPT Hot and Cold Inlet Fittings, 8-7/8" to 10-1/8" Tub Spout Reach (Wall-Center), 2" Handshower Diameter, 1.8 Gallons (6.7 Liters) per Minute Handshower Maximum Flow Rate, For Wall Mounted Configurations, All is Included

Codes / Standards Compliance

Meets or exceeds the following at date of manufacture:

- ASME A112.18.1/CSA B125.1
- IAPMO/cUPC
- CEC
- ADA
- ICC/ANSI A117.1
- Energy Policy Act of 1992
- EPA Watersense
- All applicable US Federal and State material regulations



Colors / Finishes

- 10B: Oil Rubbed Bronze
- 15: Polished Nickel
- 15S: Satin Nickel - PVD
- 26: Polished Chrome
- Other: Refer to the Newport Brass catalog for additional color/finish options.

Specified Model

Model	Description	Colors Finishes
2400-4282	Exposed Tub and Handshower Set (Wall Mount)	<input type="checkbox"/> 10B <input type="checkbox"/> 15 <input type="checkbox"/> 15S <input type="checkbox"/> 26 <input type="checkbox"/> Other

Optional Accessory:

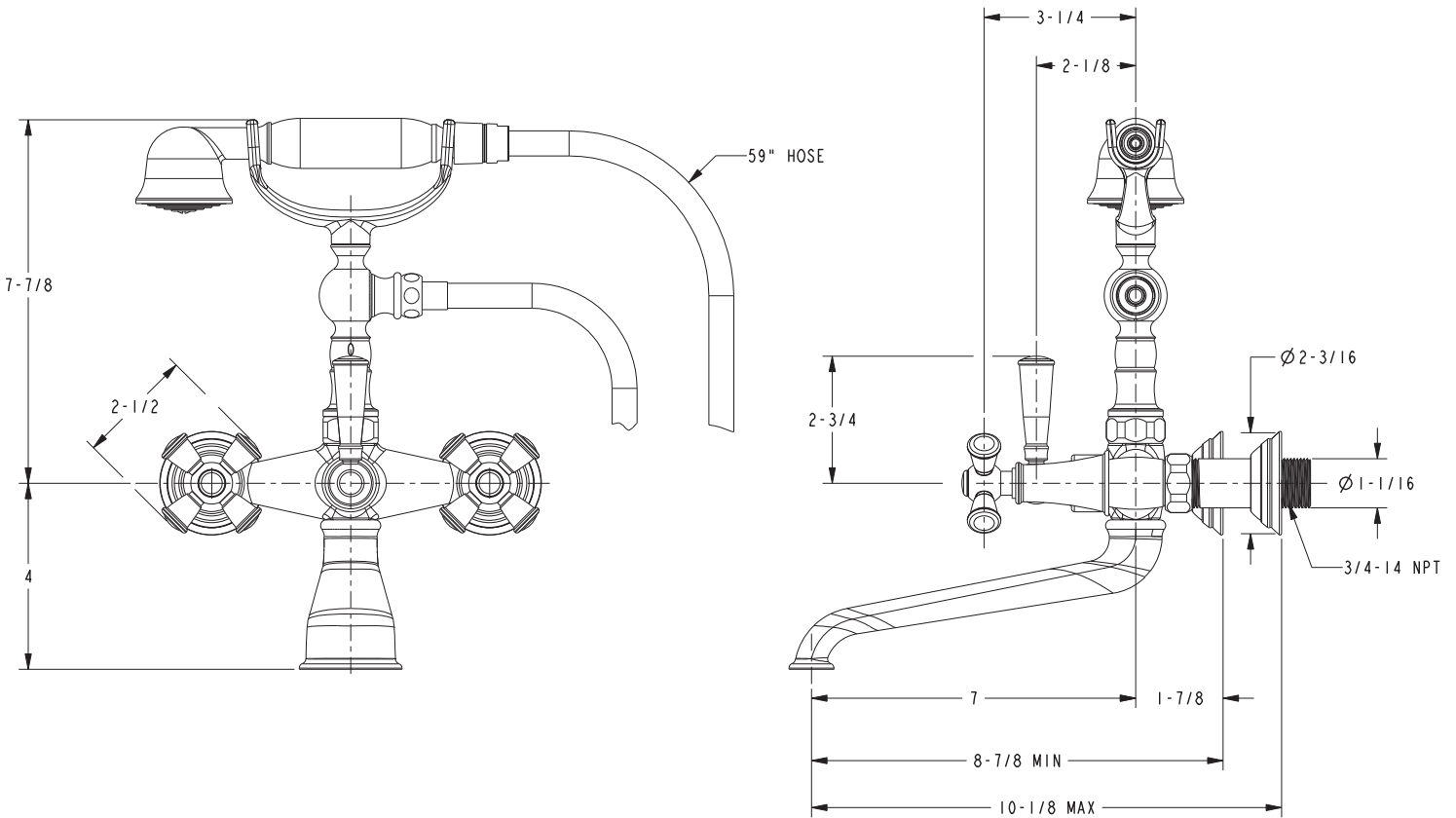
Model	<input type="checkbox"/>	<input type="checkbox"/>	<input type="checkbox"/>	<input type="checkbox"/>
Descriptions	8W 13W	8W 13W	6W 9W W	7W
Finishes	<input type="checkbox"/> 10B <input type="checkbox"/> 15 <input type="checkbox"/> 6 <input type="checkbox"/> 26 <input type="checkbox"/> 2W	<input type="checkbox"/> 10B <input type="checkbox"/> 15 <input type="checkbox"/> 6 <input type="checkbox"/> 26 <input type="checkbox"/> 2W	<input type="checkbox"/> 10B <input type="checkbox"/> 15 <input type="checkbox"/> 6 <input type="checkbox"/> 26 <input type="checkbox"/> 2W	<input type="checkbox"/> 10B <input type="checkbox"/> 15 <input type="checkbox"/> 6 <input type="checkbox"/> 26 <input type="checkbox"/> 2W
Image				

Product Specification Add "Color / Finish" suffix to Model number, below.

The Exposed Tub and Handshower Set shall be made of solid brass construction and incorporate quarter-turn washerless ceramic disc valve cartridges. Exposed Tub and Handshower Set shall incorporate a lever controlled diverter and ADA compliant hot and cold handles. Product shall be designed for wall-mounted configurations and be able to accommodate floor mounted configurations via the addition of optional accessories. Product shall have a 8-7/8" (22.5 cm) to 10-1/8" (25.7 cm) tub spout reach (wall-center) and 3/4" NPT wall-mounted hot/cold inlet fittings. Product shall feature a solid brass handshower having a diameter of 2" (5.1 cm) and a 1.8 gallons (6.7 liters) per minute maximum flow rate. Exposed Tub and Handshower Set shall be Newport Brass Model 2400-4282/____. [Optional Floor Mounting Kit (3/4" NPT) shall be 3-____/____, Shut-off Valve Set shall be 3-192/____ and Tub Stabilizer Kit shall be 2-734/____.]

2400-4282

PRODUCT DIMENSIONS *(Units are in inches)*



Aylesbury Tub and Handshower Set 2400-4282