

NEWPORT BATH

Features

- Solid brass construction
- Contemporary styling
- Simulated rainfall shower pattern
- Rubber nozzles facilitate easy cleaning
- 1/2" NPSM inlet pivot ball fitting
- 8-7/8" (22.5 cm) showerhead diameter
- 1.8 gallons (6.7 liters) per minute maximum flow rate

Codes / Standards Compliance

Meets or exceeds the following at date of manufacture:

- ASME A112.18.1/CSA B125.1
- IAPMO/cUPC
- IPC
- Energy Policy Act of 1992
- EPA Watersense
- All applicable US Federal and State material regulations

Colors / Finishes

- 10B: Oil Rubbed Bronze
- 15: Polished Nickel
- 15A: Antique Nickel
- 26: Polished Chrome
- Other: Refer to the Newport Brass catalog for additional color/finish options.

Showerhead

2153



Specified Model

Model	Description	Colors / Finishes
2153	Showerhead	<input type="checkbox"/> 10B <input type="checkbox"/> 15 <input type="checkbox"/> 15A <input type="checkbox"/> 26 <input type="checkbox"/> Other

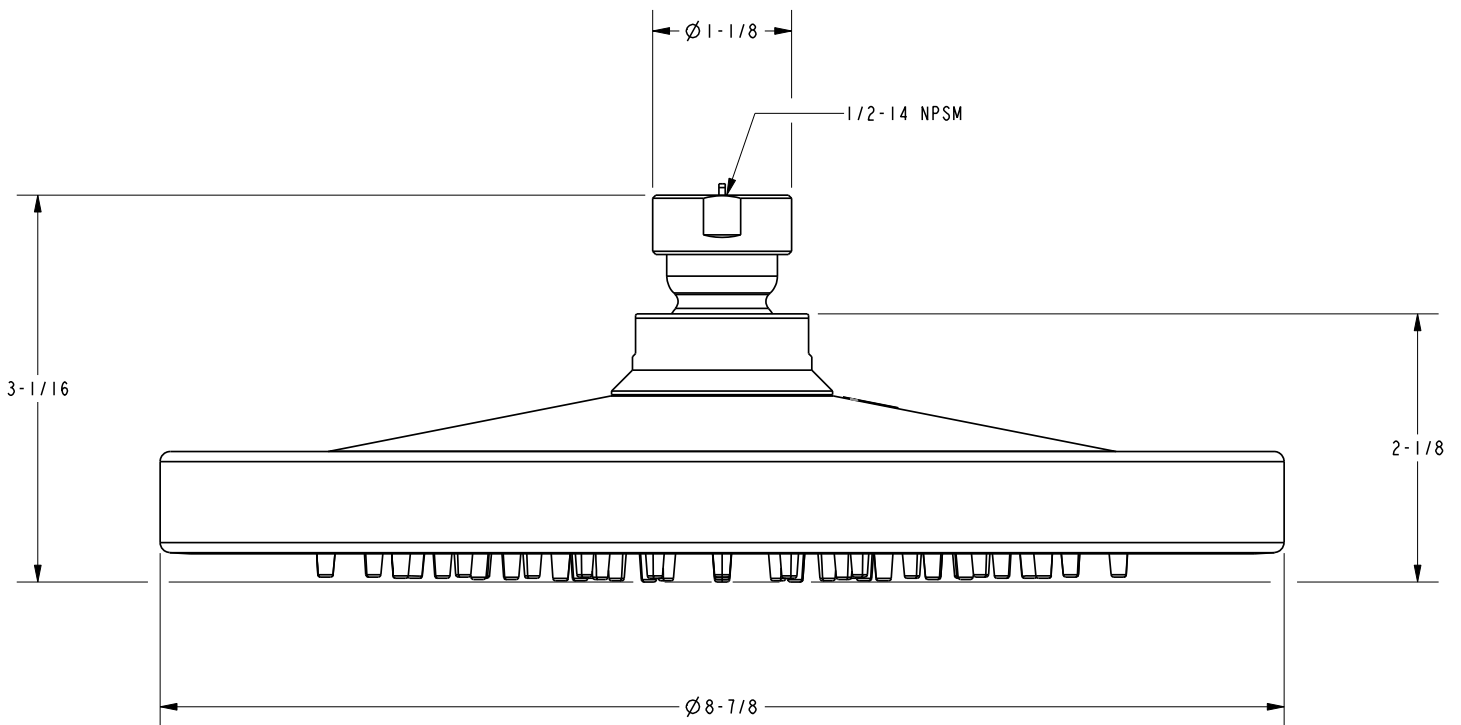
Product Specification:

Add "Color / Finish" suffix to Model number, below.

The Showerhead shall be of solid brass construction while incorporating a non-metallic showerhead engine. Showerhead shall have a simulated rainfall shower pattern and incorporate rubber nozzles to facilitate easy cleaning. Showerhead shall have a 1/2" NPSM inlet fitting and 8-7/8" (22.5 cm) showerhead diameter while operating at 1.8 gallons (6.7 liters) per minute maximum flow rate. Showerhead shall be Newport Brass Model 2153/____.

NEWPORT BATH

Product Dimensions (units are in inches)



Newport Bath Showerhead
2153

NEWPORT BRASS
Flawless Beauty. From Faucet to Finish.™