

# NEWPORT BATH

## Features

- Solid brass construction
- Traditional styling
- Simulated rainfall shower pattern
- Classic rain-can functionality
- 1/2" NPSM inlet fitting
- 8-1/16" (20.5 cm) showerhead diameter
- 1.8 gallons (6.7 liters) per minute maximum flow rate

## Codes / Standards Compliance

Meets or exceeds the following at date of manufacture:

- ASME A112.18.1/CSA B125.1
- IAPMO/cUPC
- IPC
- Energy Policy Act of 1992
- EPA Watersense
- All applicable US Federal and State material regulations

## Colors / Finishes

- 10B: Oil Rubbed Bronze
  - 15: Polished Nickel
  - 15A: Antique Nickel
  - 26: Polished Chrome
- Other: Refer to the Newport Brass catalog for additional color/finish options.

## Showerhead

# 2091



## Specified Model

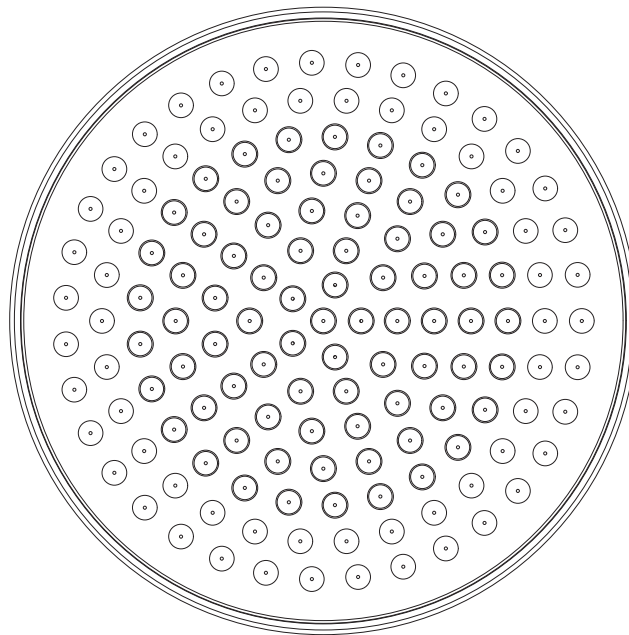
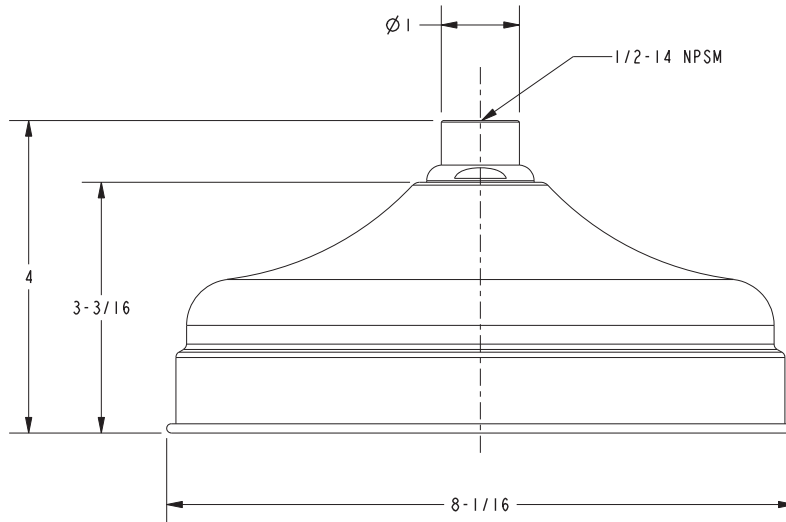
Model	Description	Colors   Finishes
2091	Showerhead	<input type="checkbox"/> 10B <input type="checkbox"/> 15 <input type="checkbox"/> 15A <input type="checkbox"/> 26 <input type="checkbox"/> Other

## Product Specification: Add "Color / Finish" suffix to Model number, below.

The Showerhead shall be of solid brass construction. Showerhead shall have a simulated rainfall shower pattern and classic rain-can functionality. Showerhead shall have a 1/2" NPSM inlet fitting and 8-1/16" (20.5 cm) showerhead diameter while operating at 1.8 gallons (6.7 liters) per minute maximum flow rate. Showerhead shall be Newport Brass Model 2091/\_\_\_.

# NEWPORT BATH

## PRODUCT DIMENSIONS *(Units are in inches)*



**Newport Bath Showerhead  
2091**

**NEWPORT BRASS**  
Flawless Beauty. From Faucet to Finish.™