

EAST LINEAR

Prep Sink / Bar Faucet 2008



Features

- Solid brass construction
- Forged brass body with integral rotating spout and handles
- Euro-motion ceramic disc 35 mm valve cartridge
- ADA compliant contemporary lever handle
- Rotating spout assembly with integral supply hoses
- 7-9/16" (19.2 cm) spout height at outlet
- 7-1/8" (18.1 cm) spout reach (c-c)
- For single hole configurations
- 1.5 gallons (5.7 liters) per minute maximum flow rate

Codes / Standards Compliance

Meets or exceeds the following at date of manufacture:

- ASME A112.18.1/CSA B125.1
- IAPMO/cUPC
- IPC
- NSF 61
- ADA
- ICC/ANSI A117.1
- Energy Policy Act of 1992
- All applicable US Federal and State material regulations

Colors / Finishes

- 10B: Oil Rubbed Bronze
- 15: Polished Nickel
- 15S: Satin Nickel - PVD
- 26: Polished Chrome
- Other: Refer to the Newport Brass catalog for additional color/finish options.

Specified Model

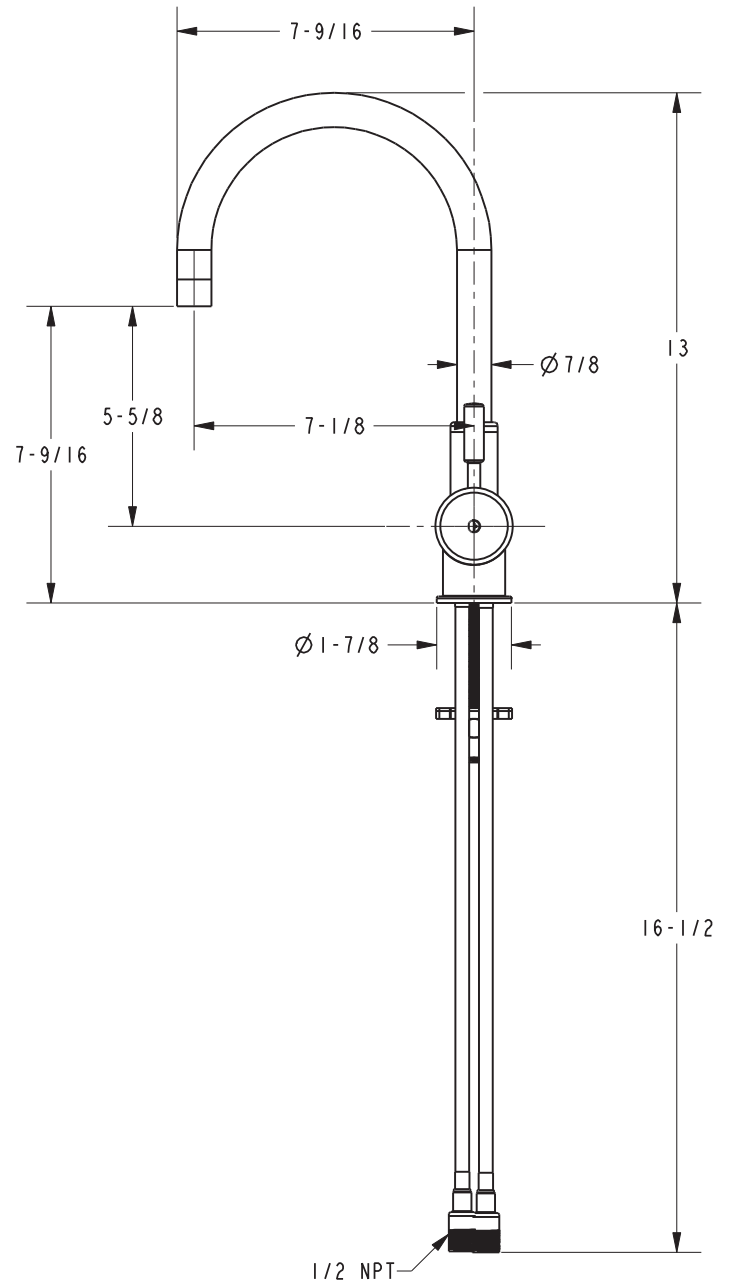
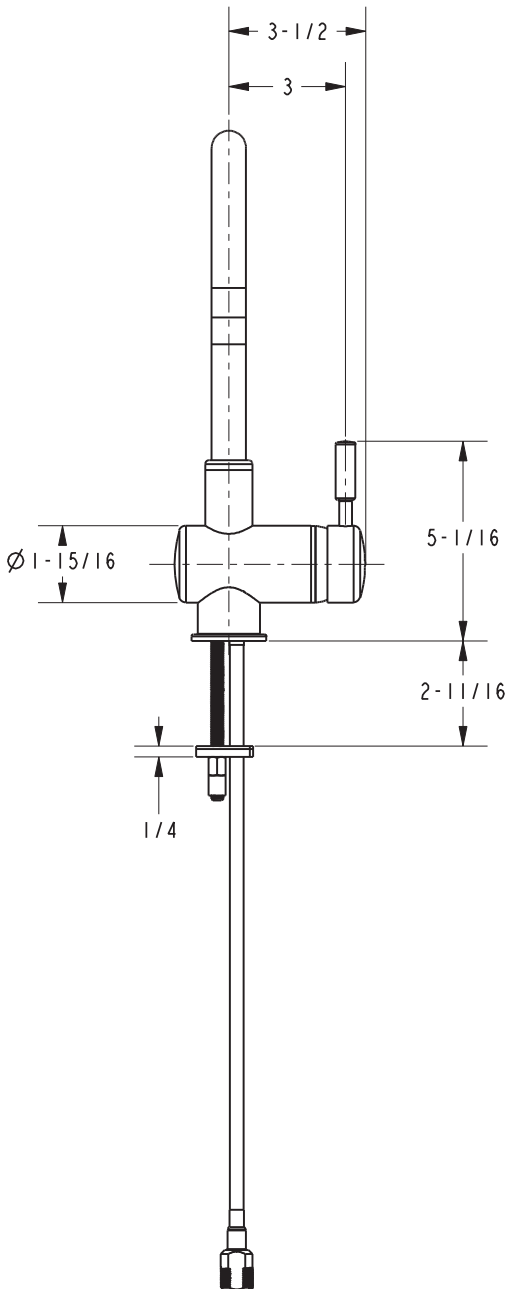
Model	Description	Colors Finishes
2008	Single-Handle Prep Sink / Bar Faucet	<input type="checkbox"/> 10B <input type="checkbox"/> 15 <input type="checkbox"/> 15S <input type="checkbox"/> 26 <input type="checkbox"/> Other

Product Specification: Add "Color / Finish" suffix to Model number, below.

The Single-Handle Prep Sink / Bar Faucet shall be made of solid brass construction. Faucet shall feature brass body with integral supply hoses and feature single-handle operation of a side-mounted Euro-motion ceramic disc 35 mm valve cartridge. Faucet shall have a 1.5 gallon (5.7 liter) per minute maximum flow rate. Product shall accommodate single hole configurations. Product shall incorporate a 7-9/16" (19.2 cm) spout height at outlet and a 7-1/8" (18.1 cm) spout reach (c-c). Faucet shall incorporate an ADA compliant contemporary lever handle. Prep Sink / Bar Faucet shall be Newport Brass Model 2008/____.

2008

PRODUCT DIMENSIONS *(Units are in inches)*



East Linear Prep Sink / Bar Faucet 2008