

# EAST LINEAR

## Vessel Sink / Bar Faucet **1508**

### Features

- Solid brass construction
- Spout assembly with integral supply hoses
- Euro-motion ceramic disc 40 mm valve cartridge
- ADA compliant contemporary lever handles
- Spout assembly with integral supply hoses
- 7-7/16" (18.9 cm) spout height at outlet
- 6-3/16" (15.7 cm) spout reach (c-c)
- For single hole configurations
- 1.2 gallons (4.5 liters) per minute maximum flow rate

### Codes / Standards Compliance

Meets or exceeds the following at date of manufacture:

- ASME A112.18.1/CSA B125.1
- IAPMO/cUPC
- IPC
- NSF 61
- ADA
- ICC/ANSI A117.1
- Energy Policy Act of 1992
- All applicable US Federal and State material regulations
- EPA WaterSense®



### Colors / Finishes

- 10B: Oil Rubbed Bronze
- 15: Polished Nickel
- 15S: Satin Nickel - PVD
- 26: Polished Chrome
- Other: Refer to the Newport Brass catalog for additional color/finish options.

### Specified Model

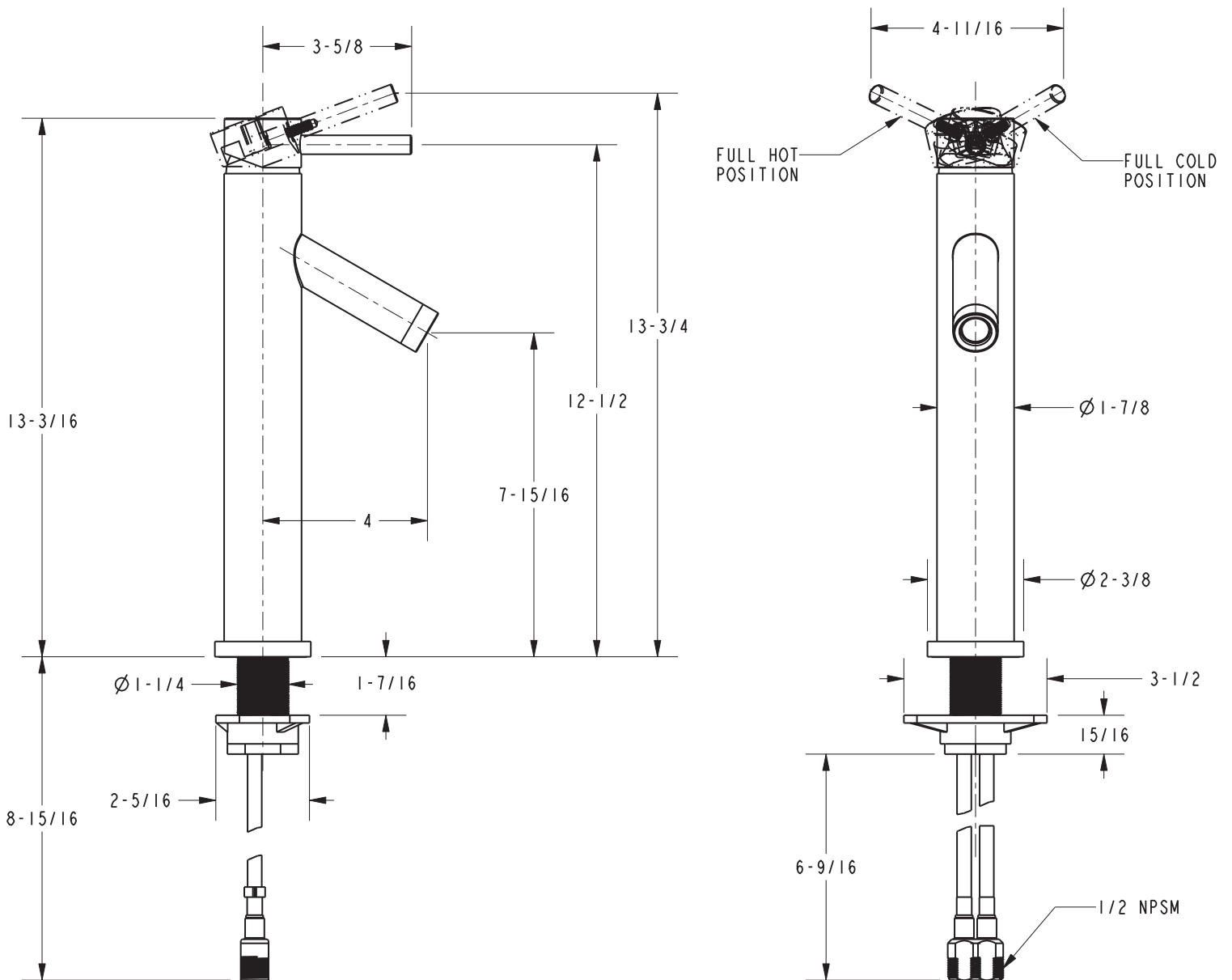
Model	Description	Colors   Finishes
1508	Vessel Sink / Bar Faucet	<input type="checkbox"/> 10B <input type="checkbox"/> 15 <input type="checkbox"/> 15S <input type="checkbox"/> 26 <input type="checkbox"/> Other

### Product Specification: Add "Color / Finish" suffix to Model number, below.

Faucet shall feature brass body with integral supply hoses and feature single-handle operation of a top-mounted Euro-motion ceramic disc 40 mm valve cartridge. Faucet shall have a 1.2 gallon (4.5 liter) per minute maximum flow rate. Product shall accommodate single hole configurations. Product shall incorporate a 7-7/16" (18.9 cm) spout height at outlet and a 6-3/16" (15.7 cm) spout reach (c-c). Faucet shall incorporate an ADA compliant contemporary lever handle. Vessel Sink / Bar Faucet shall be Newport Brass Model 1508/\_\_\_\_ .

# 1508

## PRODUCT DIMENSIONS *(Units are in inches)*



### East Linear Vessel Sink / Bar Faucet 1508