

NEWPORT BATH

Wall Tub Spout **10081**

Features

- Solid brass construction
- 7-3/8" (18.4 cm) spout length
- 3/4" NPT inlet fitting

Codes / Standards Compliance

Meets or exceeds the following at date of manufacture:

- All applicable US Federal and State material regulations



Colors / Finishes

- 10B: Oil Rubbed Bronze
- 15: Polished Nickel
- 15S: Satin Nickel - PVD
- 26: Polished Chrome
- Other: Refer to the Newport Brass catalog for additional color/finish options.

Specified Model

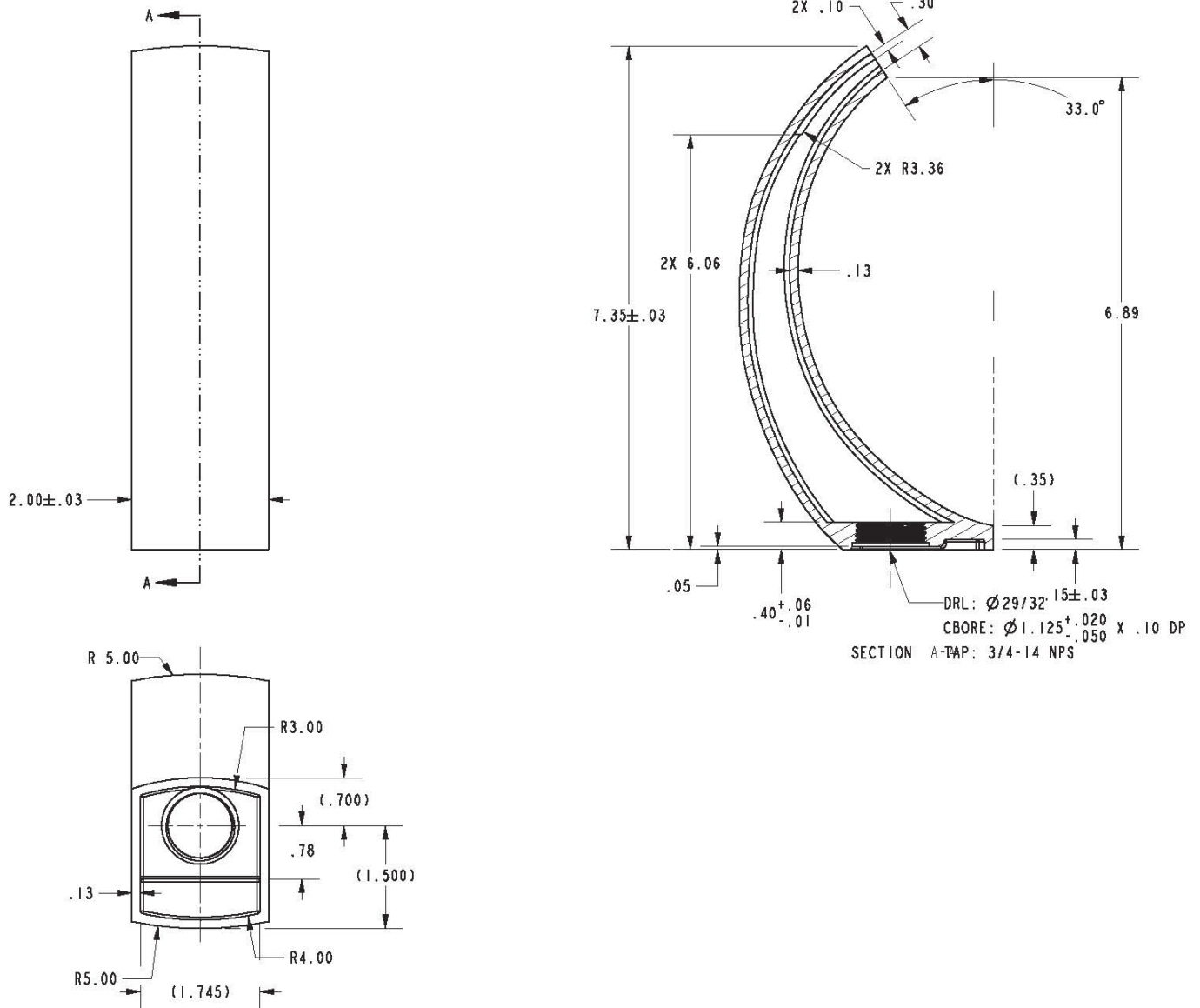
Model	Description	Colors Finishes
10081	Wall Tub Spout	<input type="checkbox"/> 10B <input type="checkbox"/> 15 <input type="checkbox"/> 15S <input type="checkbox"/> 26 <input type="checkbox"/> Other

Product Specification: Add "Color / Finish" suffix to Model number, below.

The Wall-Mounted Tub Spout shall be made of solid brass construction. Tub spout shall have a length of 7-3/8" (18.4 cm) and incorporate a 3/4" NPT inlet fitting. Tub Spout shall be Newport Brass Model 10081/____.

10081

PRODUCT DIMENSIONS *(Units are in inches)*



Newport Bath Wall Tub Spout 10081