

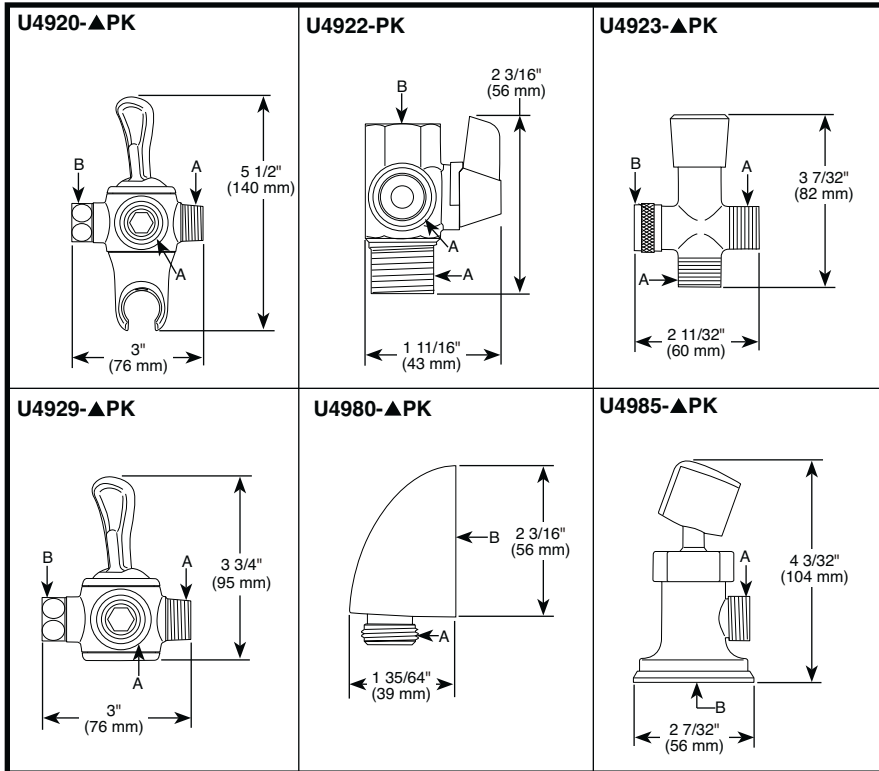
Submitted Model No.: \_\_\_\_\_

Specific Features: \_\_\_\_\_



# DIVERTERS

■ All Brass Construction



▲ Designate proper finish suffix

A	1/2-14 NPSM-2A
B	1/2-14 NPSM-2B

### STANDARD SPECIFICATIONS:

- All brass construction.
- Diverts water.
- Flip lever: U4920, U4929.
- Water supply elbow: U4980.

### WARRANTY

- Lifetime limited warranty on parts (other than electronic parts and batteries) and finishes; or for commercial users, for 5 years from the date of purchase.
- 5 year limited warranty on electronic parts (other than batteries); or for commercial users, for 1 year from the date of purchase. No warranty is provided on batteries



55 E. 111th Street, Indianapolis, Indiana 46280  
 350 South Edgeware Road, St. Thomas, Ontario Canada N5P 4L1  
 © 2014 Masco Corporation of Indiana

Delta reserves the right (1) to make changes in specifications and materials, and (2) to change or discontinue models, both without notice or obligation. Dimensions are for reference only. See current full-line price book or [www.deltafaucet.com](http://www.deltafaucet.com) for finish options and product availability.