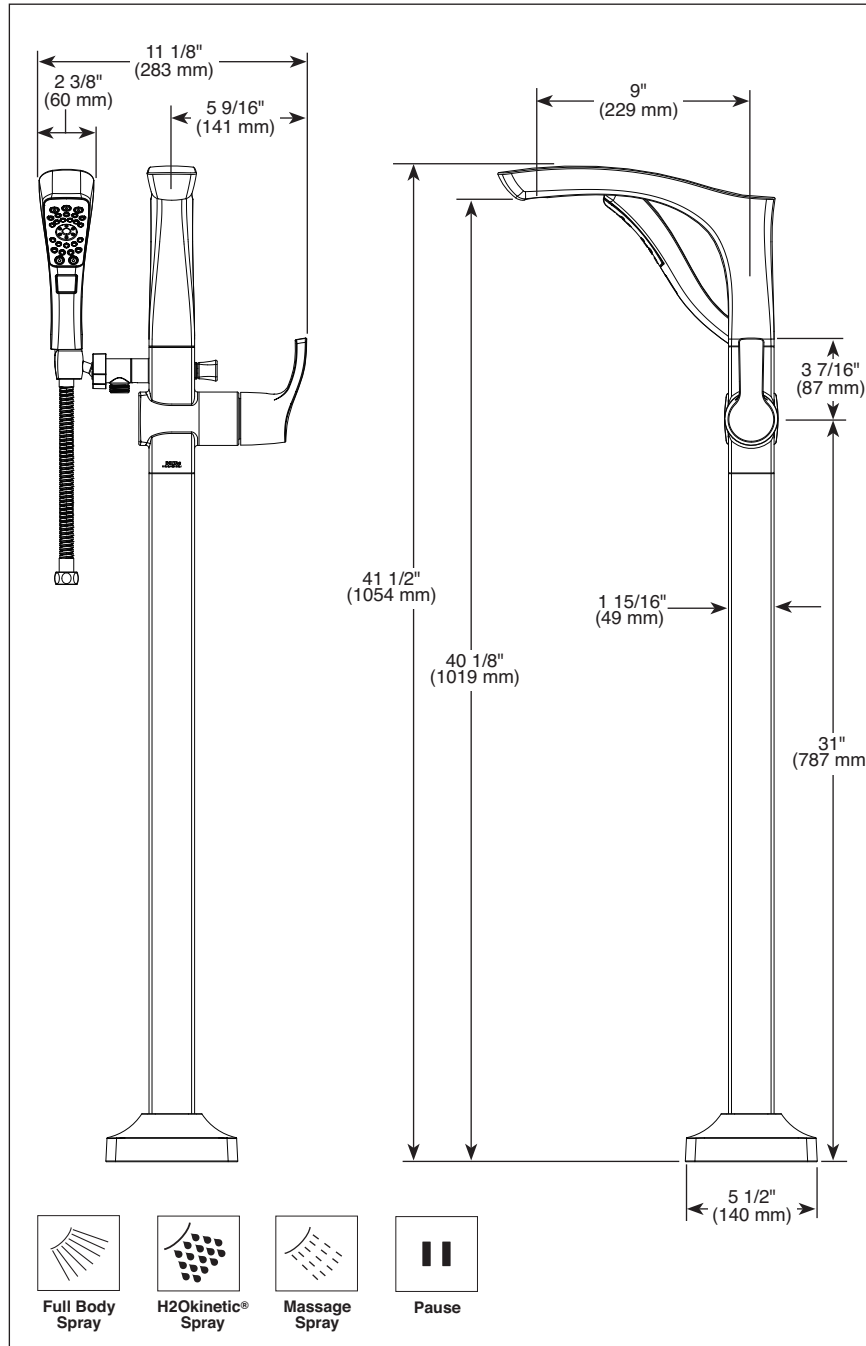


Submitted Model No.: \_\_\_\_\_

Specific Features: \_\_\_\_\_



Full Body Spray



H2Okinetic® Spray



Massage Spray



Pause

▲ Designate Proper Finish Suffix

Delta reserves the right (1) to make changes in specifications and materials, and (2) to change or discontinue models, both without notice or obligation. Dimensions are for reference only. See current full-line price book or [www.deltafaucet.com](http://www.deltafaucet.com) for finish options and product availability.

DSP-B-T4752-FL Rev. B



# FLOOR MOUNT TUB FILLER

■ Tesla™ Bath Collection

## FEATURES:

- H<sub>2</sub>Okinetic® Technology
- Multichoice® high flow non pressure balance cartridge

## STANDARD SPECIFICATIONS:

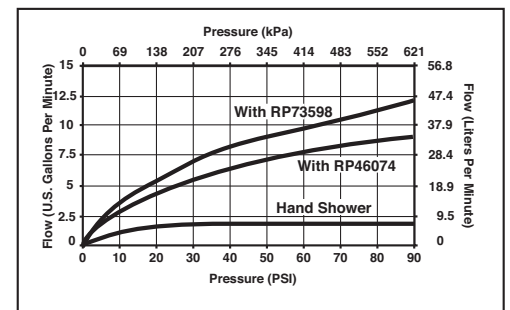
- Handshower maximum flow rate  
2.0 gpm @ 80 PSI, 7.6 L/Min @ 550 kPa
- Hot and cold indicators
- 60"-82" stretchable hose with metal fittings
- Auto resetting diverter
- Pivot handshower holder
- Rough-In R4700-FL or R4700-FLWS, required for installation
- 4-setting handshower
- Dual integral check valve on handshower

## WARRANTY

- Lifetime limited warranty on parts (other than electronic parts and batteries) and finishes; or, for commercial users, for 5 years from date of purchase.
- 5 year limited warranty on electronic parts (other than batteries); or, for commercial users, for 1 year from the date of purchase. No warranty is provided on batteries.

## COMPLIES WITH:

- ASME A112.18.1 / CSA B125.1
- Indicates compliance to ICC/ANSI A117.1 - Valve control only



55 E. 111th Street, Indianapolis, Indiana 46280  
350 South Edgeware Road, St. Thomas, ON N5P 4L1  
© 2015 Masco Corporation of Indiana