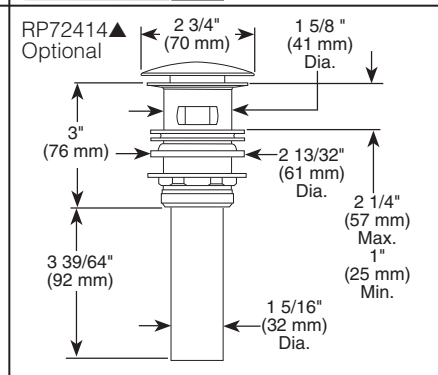
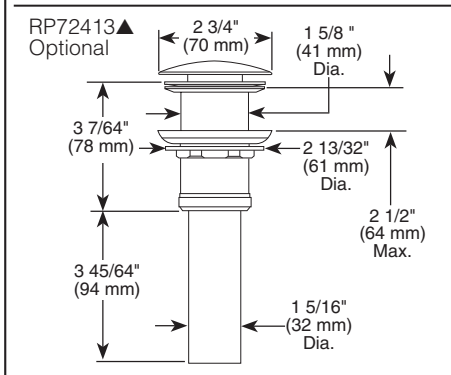
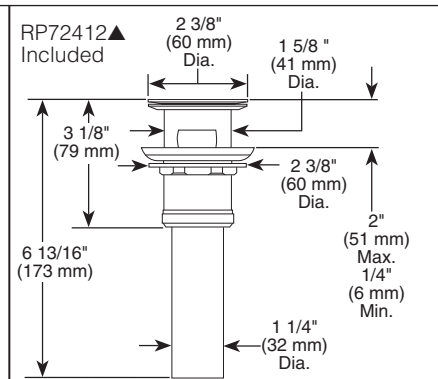
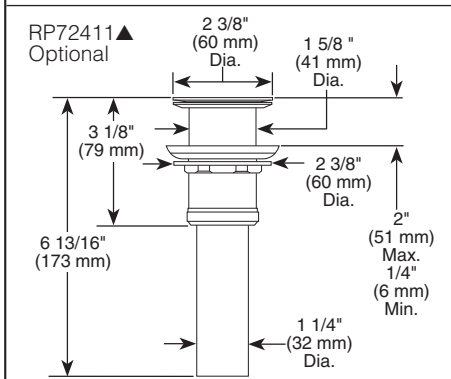
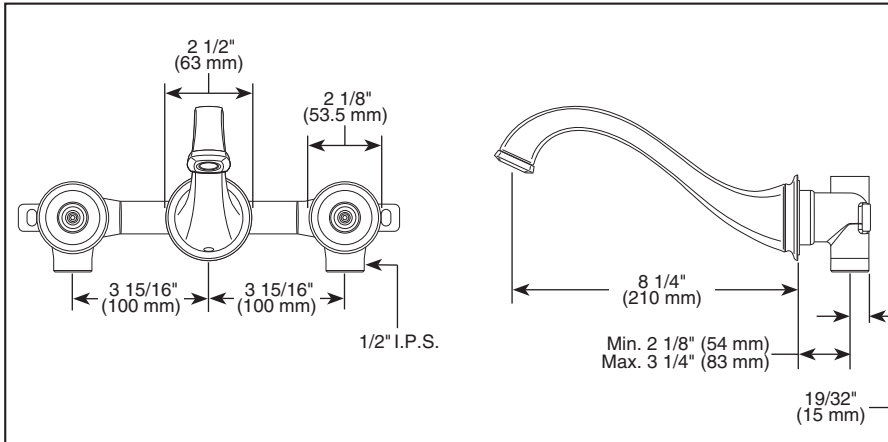


Submitted Model No.: _____

Specific Features: _____



▲ Designate proper finish suffix

BRIZO®

LAVATORY FAUCETS

- Charlotte™ Bath Collection
- Two Handle Wall-Mounted Lavatory
- Three Hole Applications
- 8 1/4" Solid Metal Spout

STANDARD SPECIFICATIONS:

- Two handle lavatory faucet for concealed mounting in 3 hole wall applications.
- 8 1/4" solid metal spout.
- LHP - Less Handle Program. See handle options below.
- Control mechanism shall be of the rotating ceramic cylinder type with 90° (1/4 turn) rotation.
- 8" centers, 4" distance between holes.
- Recommend 1 1/2" hole size.
- Adjustable roughing in dimensions: 2 1/8" to 3 1/4".
- 1/2" I.P.S. inlets.
- Metal grid strainer with overflow included (RP72412).
- Optional grid strainer without overflow (RP72411), push button pop-up with overflow (RP72414) or push button pop-up without overflow (RP72413).
- Maximum 1.50 gpm @ 60 psi, 5.7 L/min @ 414 kPa

WARRANTY

- Lifetime limited warranty on parts (other than electronic parts and batteries) and finishes: or, for commercial users, for 5 years from date of purchase.
- 5 year limited warranty on electronic parts (other than batteries); or, for commercial users, for 1 year from the date of purchase. No warranty is provided on batteries.



COMPLIES WITH:

- ASME A112.18.1 / CSA B125.1
- ASME A112.18.2 / CSA B125.2
- Indicates compliance to ICC/ANSI A117.1
- Verified compliant with .25% weighted average Pb content regulations.
- EPA WaterSense®

