



# SHOWERHEAD

- H<sub>2</sub>Okinetic<sup>®</sup> Showerhead
- 5-Spray Setting Showerhead
- Touch-Clean<sup>®</sup> Nozzles

## STANDARD SPECIFICATIONS:

- ABS showerhead with five settings – not a positive shut-off.
- Standard 1/2" pipe fitting.
- Easy-turn spray dial.
- Metal ball connector for durability. Easy installation.
- Maximum flow rate 2.0 gpm (7.6L/min) @ 80 PSI. (52638-▲20-PK only)
- Maximum flow rate 1.5 gpm (5.7L/min) @ 80 PSI. (52638-▲15-PK only)

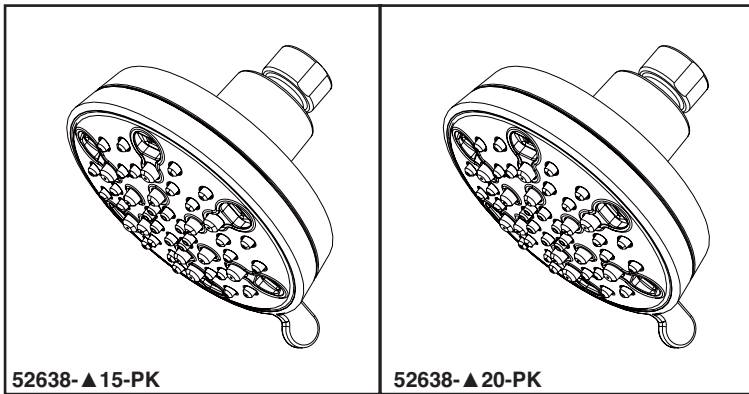
## WARRANTY

- Lifetime limited warranty on parts (other than electronic parts and batteries) and finishes: or, for commercial users, for 5 years from date of purchase.
- 5 year limited warranty on electronic parts (other than batteries); or, for commercial users, for 1 year from the date of purchase. No warranty is provided on batteries.



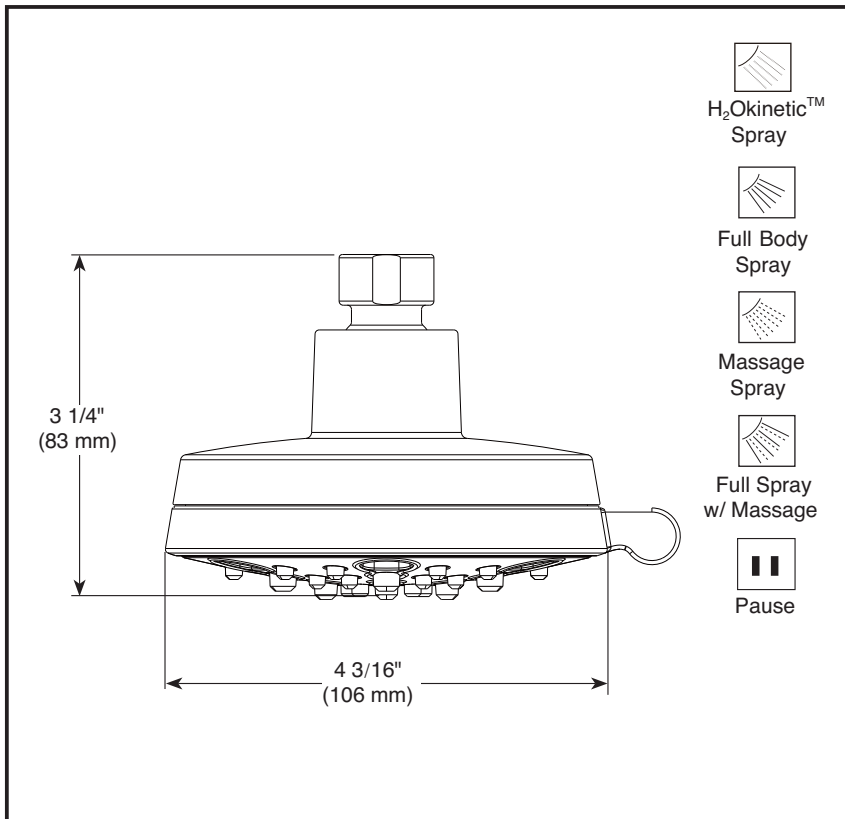
## COMPLIES WITH

- ASME A112.18.1 / CSA B125.1
- EPA WaterSense<sup>®</sup>



Submitted Model No.: \_\_\_\_\_

Specific Features: \_\_\_\_\_



▲ Designate proper finish suffix

Delta reserves the right (1) to make changes in specifications and materials, and (2) to change or discontinue models, both without notice or obligation. Dimensions are for reference only. See current full-line price book or [www.deltafaucet.com](http://www.deltafaucet.com) for finish options and product availability.

