

Preston Technical Specification

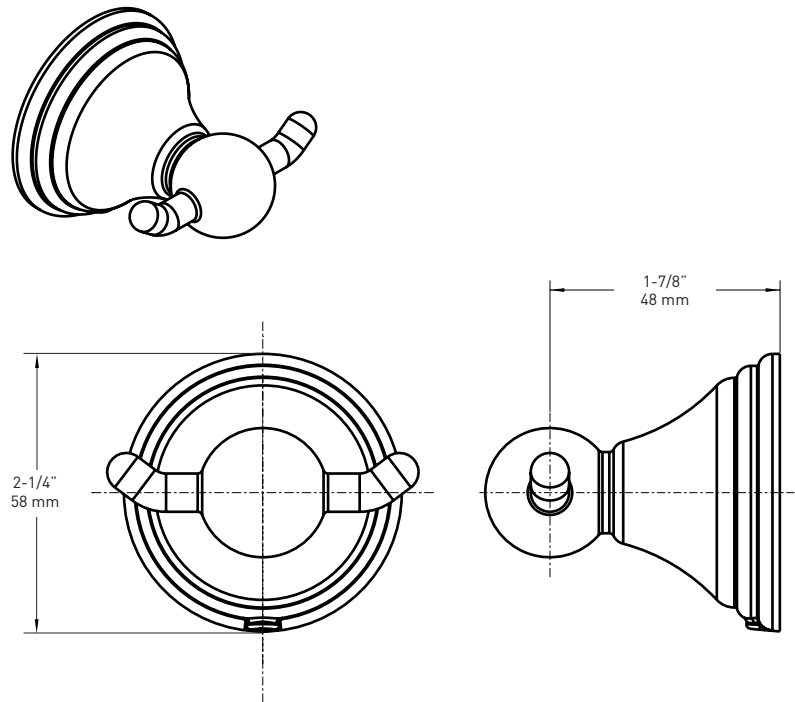
Robe Hook

DN8403

Stock Numbers:

- **DN8403BL – Robe Hook**
Matte Black Finish
Concealed Screw Mounting
- **DN8403OWB – Robe Hook**
Old World Bronze Finish
Concealed Screw Mounting
- **DN8403CH – Robe Hook**
Polished Chrome Finish
Concealed Screw Mounting
- **DN8403MPW – Robe Hook**
Matte Pewter Finish
Concealed Screw Mounting
- **DN8403BN – Robe Hook**
Brushed Nickel Finish
Concealed Screw Mounting

Dimensions:



Materials:

Robe Hook is die cast from highest quality zinc alloy (zamac). Castings are triple plated with a matte black, old world bronze, polished chrome, or matte pewter, brushed nickel finish.

Installation Instructions:

Please refer to product instructions for installation steps.

Cleaning Instructions:

To preserve the fine finish of this product, clean only with a soft damp cloth. Dry well. Do not use commercial or abrasive cleaners.

Stock Number: _____ **Robe Hook**
By Moen Incorporated

MOEN®

25300 AL MOEN DRIVE • NORTH OLMSTED, OH 44070
CORPORATE HEADQUARTERS: (800) 321-8809 • FAX: (800) 848-6636
INTERNATIONAL: (440) 962-2000 • FAX: (440) 962-2726
CUSTOMER SERVICE (USA): 800-882-0116 • FAX: (888) 379-2720
WWW.MOEN.COM

© 2022 Moen Incorporated. Moen is a registered trademark and Aspen is a trademark of Moen Inc.