

## Kubos™ Double Robe Hook

## FEATURES:

- Brass construction
- Corrosion resistant finishes
- Mounting hardware is included
- Coordinates with Kubos Collection

## STOCK FINISHES:



PC BN

## SPECIALTY FINISHES:

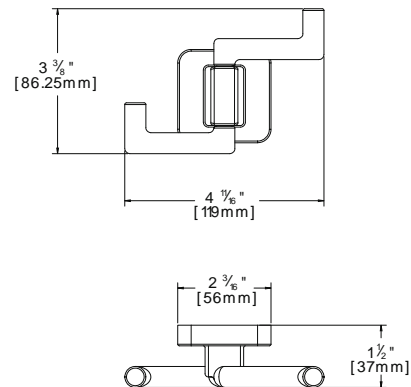


BBZ MB ORB PB PN

## WARRANTY:

Visit [www.speakman.com](http://www.speakman.com) for full product warranty information

- Limited Lifetime Warranty (consumer)
- 1 Year Limited Warranty (commercial)



All dimensions are in inches (millimeters) unless otherwise specified and are subject to change without notice.

Architect/Engineer Approval Space:

SPEAKMAN  
400 ANCHOR MILL ROAD  
NEW CASTLE, DE 19720

P: 800-537-2107  
F: 800-977-2747  
W: WWW.SPEAKMAN.COM  
R: 01-MARCH 2018