

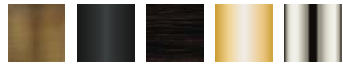
## Kubos™ Towel Rack

**FEATURES:**

- Towel Rack measures 18" wide
- Brass Construction
- Corrosion resistant finishes
- Mounting hardware is included
- Coordinates with Kubos Collection

**STOCK FINISHES:**

PC BN

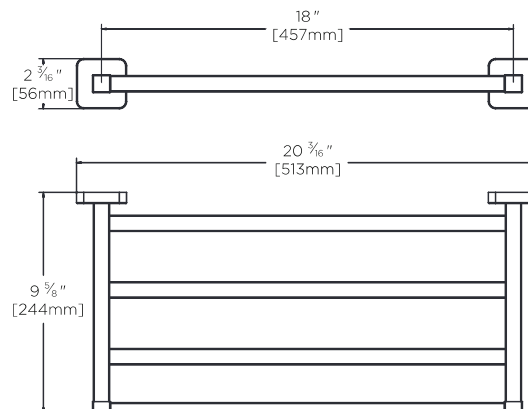
**SPECIALTY FINISHES:**

BBZ MB ORB PB PN

**WARRANTY:**

Visit [www.speakman.com](http://www.speakman.com) for full product warranty information

- Limited Lifetime Warranty (consumer)
- 1 Year Limited Warranty (commercial)



All dimensions are in inches (millimeters) unless otherwise specified and are subject to change without notice.

Architect/Engineer Approval Space:

SPEAKMAN  
400 ANCHOR MILL ROAD  
NEW CASTLE, DE 19720

P: 800-537-2107  
F: 800-977-2747  
W: [WWW.SPEAKMAN.COM](http://WWW.SPEAKMAN.COM)  
R: 01-MARCH 2018