

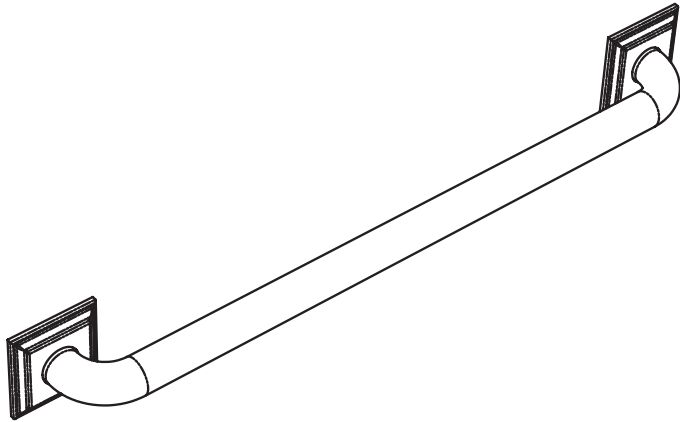
# SPEAKMAN®

Rainier™ ADA Grab Bars

SA-1309-24  
SA-1309-36

SA-1309-48

SPECIFICATION



## MODELS:

- SA-1309-24: 24 in. bar
- SA-1309-36: 36 in. bar
- SA-1309-48: 48 in. bar

## FEATURES:

- Stainless Steel Construction
- Flexible mounting configuration (horizontal, vertical, diagonal)
- Includes mounting hardware



## COMPLIANCE:

- Meets ASME A112.18.1/CSA B125.1

## AVAILABLE FINISHES:

ADD SUFFIX TO MODEL #

- Polished Chrome (standard)
- Brushed Nickel  -BN

## WARRANTY:

- 1 Year Limited

SEE REVERSE FOR ROUGH-IN DIMENSIONS

THIS SPACE FOR ARCHITECT/ENGINEER APPROVAL.

# SPEAKMAN®

400 ANCHOR MILL ROAD | NEW CASTLE, DE 19720  
P: 800-537-2107 | F: 800-977-2747  
WWW.SPEAKMANCOMPANY.COM

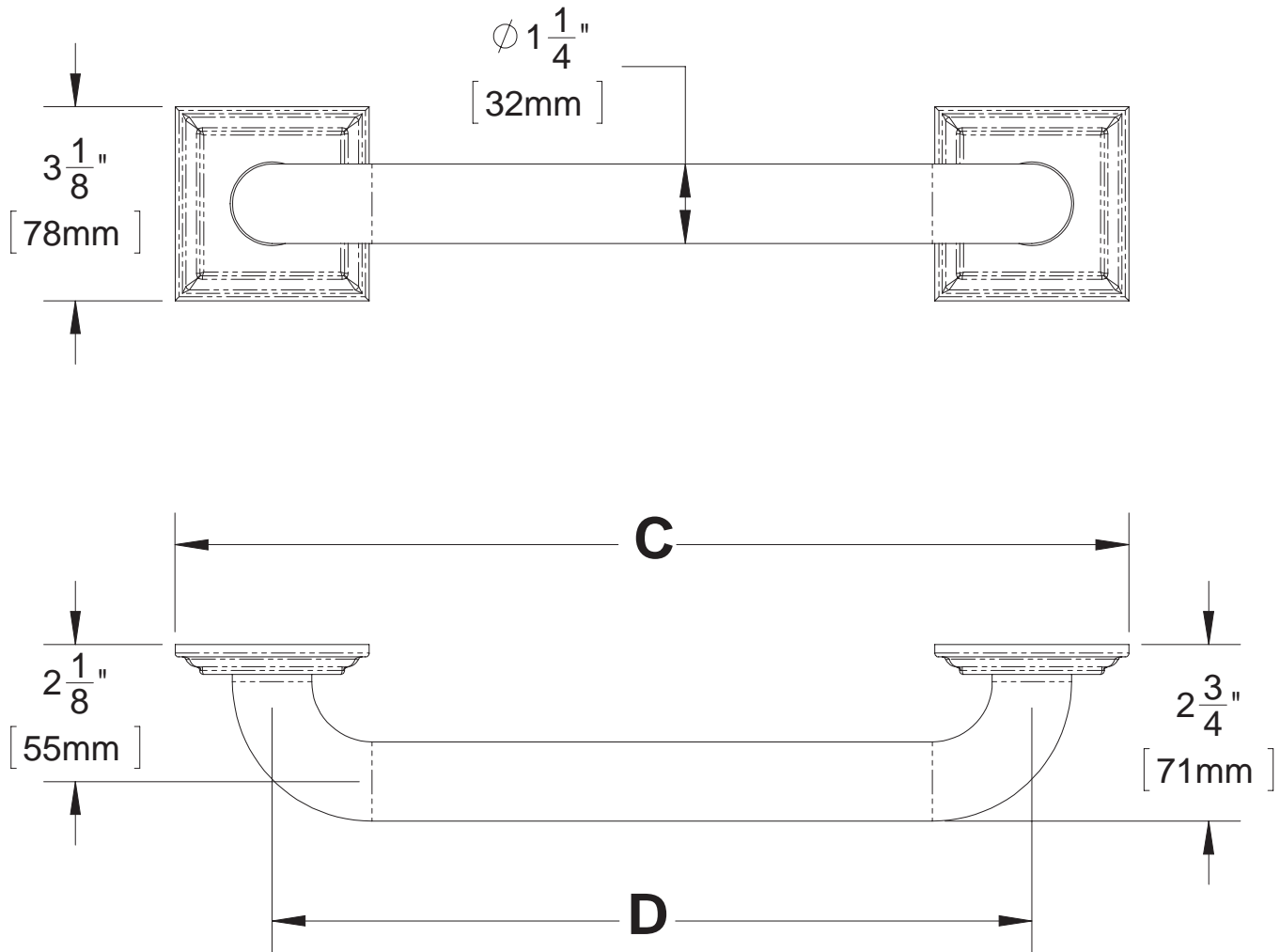
REVISION DATE: FEBRUARY 2014

Management Systems  
Registered to ISO 9001

# SPEAKMAN®

Rainier™ ADA Grab Bars SA-1309-24, SA-1309-36, SA-1309-48

SPECIFICATION



#### DIMENSION "C"

|                   |                 |
|-------------------|-----------------|
| <b>SA-1309-24</b> | 27-1/8" (687mm) |
| <b>SA-1309-36</b> | 39-1/8" (992mm) |
| <b>SA-1309-48</b> | 51-18" (1297mm) |

#### DIMENSION "D"

|                   |              |
|-------------------|--------------|
| <b>SA-1309-24</b> | 24" (610mm)  |
| <b>SA-1309-36</b> | 36" (914mm)  |
| <b>SA-1309-48</b> | 48" (1219mm) |

NOTE: 1. All dimensions are in inches (millimeters) unless otherwise specified and are subject to change without notice.

THIS SPACE FOR ARCHITECT/ENGINEER APPROVAL.

## SPEAKMAN®

400 ANCHOR MILL ROAD | NEW CASTLE, DE 19720  
P: 800-537-2107 | F: 800-977-2747  
WWW.SPEAKMANCOMPANY.COM

REVISION DATE: FEBRUARY 2014

Management Systems  
Registered to ISO 9001