

## Vintage™ Shower head

### MODELS:

- S-30 19: 2.5 GPM (9.5 L/min) **low** rate
- S-30 19-E2: 2.0 GPM (7.6 L/min) **low** rate
- S-30 19-E175: 1.75 GPM (6.6 L/min) **low** rate

### FEATURES:

- 8 plungers, 64 sprays, 3 spray patterns
- Patented Anystream® plungers resist scale build-up
- Spray adjusting handle
- Solid brass construction
- 1/2" -14 NPTF female inlet
- Corrosion resistant **finish**
- Coordinates with Opera Collection

### STOCK FINISH:



PC

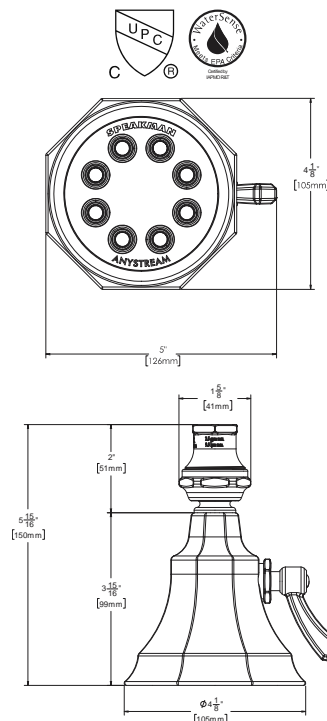
### STANDARDS:

- ASME A 112.18.1/CSA B125.1 certified
- CEC (CA Energy Commission) certified, 1.75 GPM only
- WaterSense certified, 2.0 & 1.75 GPM only

### WARRANTY:

Visit [www.speakman.com](http://www.speakman.com) for full product warranty information

- Limited Lifetime Warranty (consumer)
- 1 Year Limited Warranty (commercial)



All dimensions are in inches (millimeters) unless otherwise specified and are subject to change without notice.

Architect/Engineer Approval Space:

SPEAKMAN  
400 ANCHOR MILL ROAD  
NEW CASTLE, DE 19720

P: 800-537-2107  
F: 800-977-2747  
W: WWW.SPEAKMAN.COM  
R: 01-APRIL 2018