

## Shower Arm and Flange

**FEATURES:**

- Arm measures 6" in length
- Brass arm and metal flange construction
- 1/2" -14 NPTM connections
- Corrosion resistant finishes
- Ceiling-mounted installation
- Coordinates with rain shower heads from either the Neo or Kubos Collection

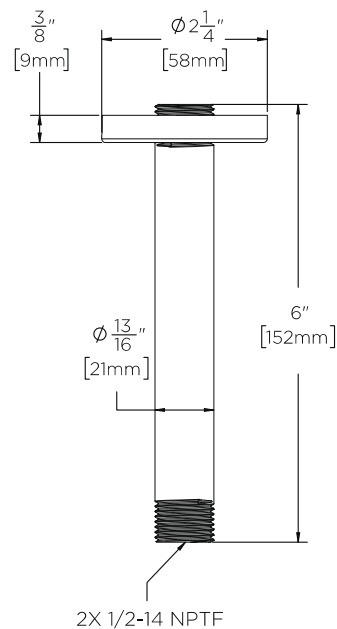
**STOCK FINISHES:**

PC BN

**WARRANTY:**

Visit [www.speakman.com](http://www.speakman.com) for full product warranty information

- Limited Lifetime Warranty (consumer)
- 1 Year Limited Warranty (commercial)



All dimensions are in inches (millimeters) unless otherwise specified and are subject to change without notice.

Architect/Engineer Approval Space:

SPEAKMAN  
400 ANCHOR MILL ROAD  
NEW CASTLE, DE 19720

P: 800-537-2107  
F: 800-977-2747  
W: WWW.SPEAKMAN.COM  
R: 01-MARCH 2018