


Thank you for choosing Sunnydaze Decor. We stand behind our brand and the quality of the items we sell. Replacement parts or products will be sent at our discretion within the 1-year warranty period. Proof of purchase, with the date of purchase as well as photos of the merchandise defect, must be provided. Photos are used to determine the cause of defects and for future quality control. Register your warranty at <https://tiny.cc/SunnydazeWarranty>. If you have any questions, comments or concerns, feel free to contact us by phone at 833-982-1977, by email: customerservice@sunnydazedecor.com, or via our contact us page at <https://tiny.cc/SunnydazeContact>

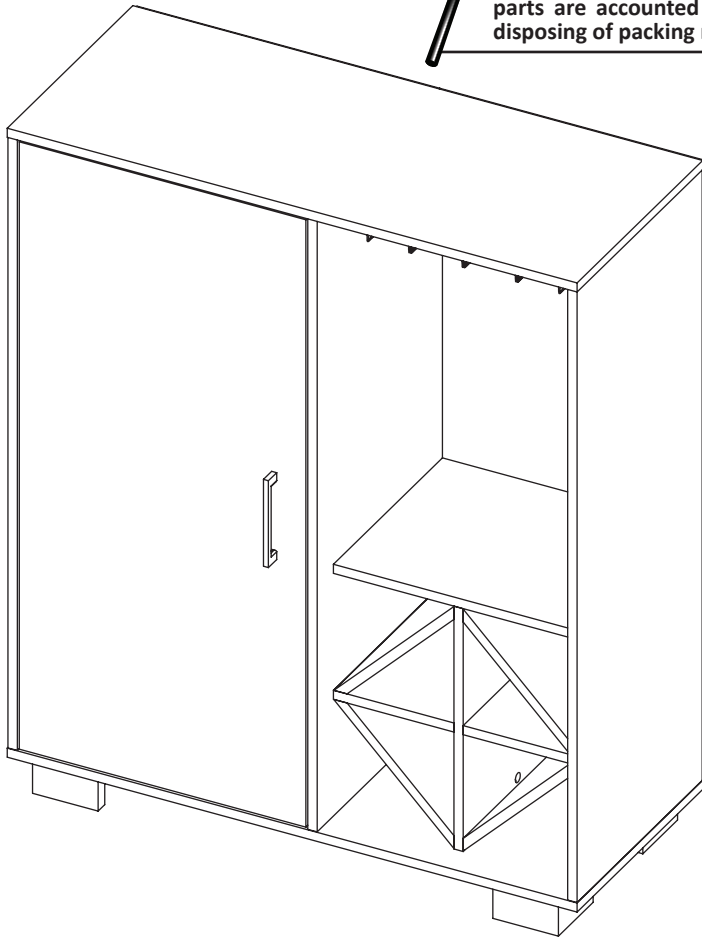
WINE CABINET WITH GLASS & BOTTLE STORAGE

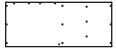
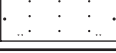
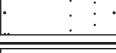
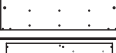


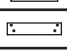
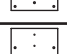
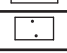

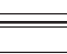
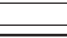

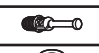
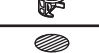
RTA-089















Carefully review assembly and care instructions before using this product. Save this document for future reference.
Assemble components on a soft, clean surface to avoid scratching or damaging the finish.







Inspect packaging to ensure all parts are accounted for before disposing of packing materials.



| No. | PARTS | QTY. |
|-----|---|------|
| A |  Bottom Panel | 1 |
| B |  Left Panel | 1 |
| C |  Right Panel | 1 |
| D |  Middle Panel | 1 |
| E |  Top Panel | 1 |
| F |  Left Shelf | 3 |
| G |  Right Shelf | 1 |
| H |  Left End Panel | 2 |
| I |  Right End Panel | 1 |
| J |  Right Side Middle Panel | 1 |
| K |  Right Side Small Shelf | 2 |
| L |  Diagonal Panel | 4 |
| M |  Door | 1 |
| N |  Left Backing Board | 1 |
| O |  Right Backing Board | 1 |

| No. | HARDWARE | QTY. |
|-----|---|------|
| 1 |  Wood Dowel | 52 |
| 2 |  Spreading Bolt | 31 |
| 3 |  Cam Lock | 31 |
| 4 |  Cover Cap | 31 |
| 5 |  Handle + 3/4" Screws | 1 |
| 6 |  Door Stop | 2 |
| 7 |  Hinge + M8 x 1/2" Screws | 2 |
| 8 |  Nail | 23 |
| 9 |  Stemware Rack | 1 |
| 10 |  Foot | 4 |
| 11 |  M6 x 9/16" Flat Screw | 3 |
| 12 |  Rear Panel Clamp | 5 |
| 13 |  M6 x 1/2" Screw | 16 |
| 14 |  Tipover Restraint Kit | 2 |

| TOOLS REQUIRED (not included) | | | |
|--|---|---|---|
|  |  |  |  |
| Phillips Screwdriver | Rubber Mallet | Hammer | Power Drill with 1/8" Bit & 1/4" Bit |

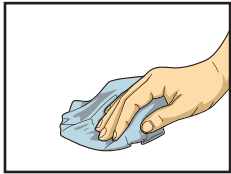
! WARNING !
CHOKING HAZARD — This item contains small parts that can be swallowed. Keep children and pets away during assembly.

INTRODUCTION

Read the manual carefully to ensure you fully understand all use, care, assembly, and safety information.



Read this manual carefully and follow the assembly instructions in the order listed. Pay close attention to assembly drawings.



Regularly clean with a clean microfiber cloth to prevent dust accumulation.



Do not paint the unit. Do not use abrasive materials or cleaners to clean the furniture; only use a slightly moistened cloth.



Indoor use only. Do not expose the furniture to heat or humidity.



When cleaning nearby the furniture, do not allow contact with water or cleaners as they can deteriorate the furniture.

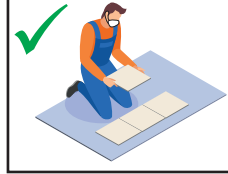


Do not allow metal components to come in contact with water or cleaners as it may cause rust and staining.



Assemble on a soft, flat, clean, and dry surface.

Use a soft, protective barrier when assembling the furniture.



TIP: Use the box carton as a protective layer to separate and protect the parts from scratches and other damage during assembly.



Do not push or drag furniture as doing so may damage the unit. Only move furniture when it is empty.

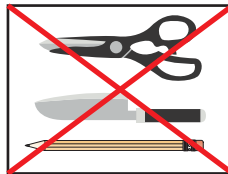


Always ask for help when moving furniture.



Avoid Accidents - Do not climb, sit or stand on the furniture.

Do not allow children to play on or inside the furniture.



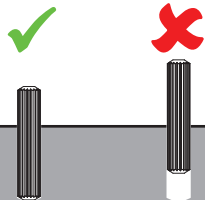
Keep sharp objects away as they may scratch or damage the unit.

Do not use the furniture as a writing surface without a padded barrier.

⚠ IMPORTANT INSTALLATION INFORMATION ⚠

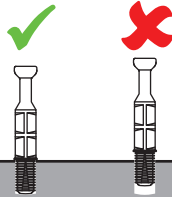
For the stability of the unit, it is important that furniture connectors are installed correctly. See drawings and tips below for proper installation.

Wood Dowel



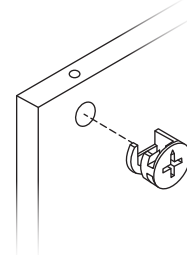
Install wood dowels by gently tapping them into the designated hole using a rubber mallet.

Spreading Bolt



Install Spreading Bolts by firmly pressing them into the hole or gently tapping with a rubber mallet until the shoulder is flush with the panel.



Cam Lock

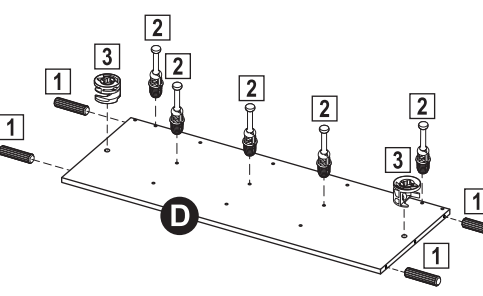



Align the cam lock opening (arrow) with the pre-drilled hole on the side of the panel. Use a screwdriver to adjust alignment as needed.

ASSEMBLY

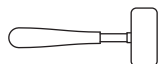
Review all steps carefully and understand assembly before beginning.

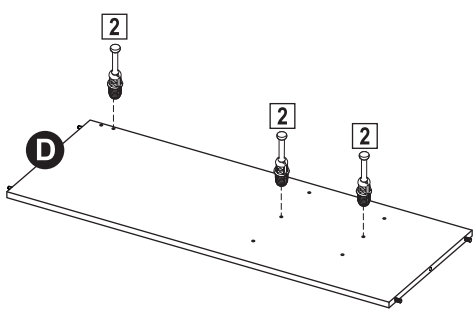
STEP 1 TOOLS REQUIRED


D: 1
1: 4
2: 5
3: 2





 Turn this panel over

Install four Wood Dowels (1), five Spreading Bolts (2), and two Cam Locks (3) into Middle Panel (D) as shown.
 Turn the panel over.

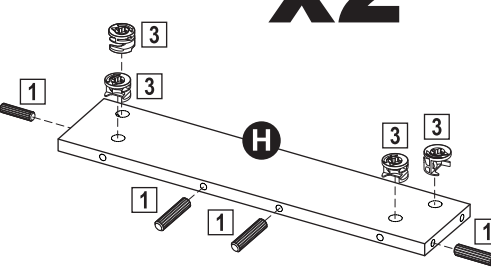
STEP 2 TOOLS REQUIRED

2: 3



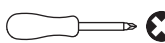
Install three Spreading Bolts (2) into Middle Panel (D) as shown.
 Then, turn the panel over.

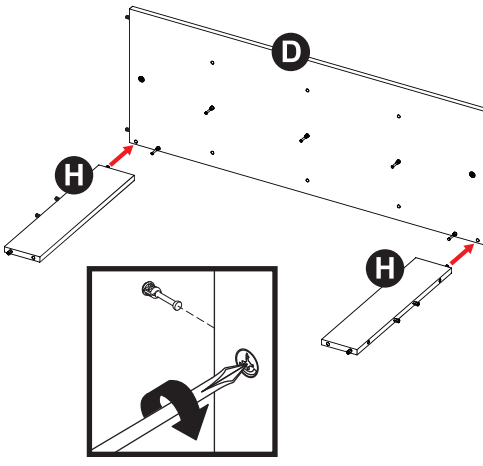
STEP 3 TOOLS REQUIRED


H: 2
1: 8
3: 8

x2


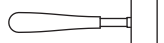


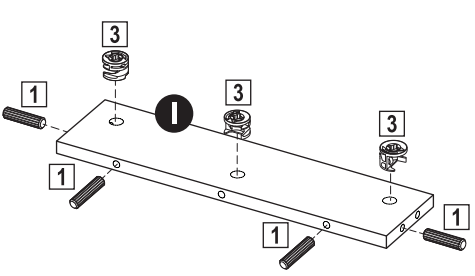
Install four Wood Dowels (1) and four Cam Locks (3) into Left End Panel (H) as shown.
 Repeat this step on the remaining Left End Panel (H).

STEP 4 TOOLS REQUIRED


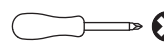


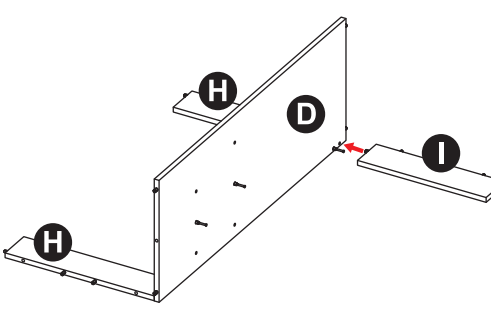
As indicated in the drawing, align the dowel in Left End Panels (H) with Middle Panel (D).
 Then, use a screwdriver to turn the cam lock until it locks onto the head of the spreading bolt.

STEP 5 TOOLS REQUIRED
 
I: 1
1: 4
3: 3



Install four Wood Dowels (1) and three Cam Locks (3) into Right End Panel (I) as shown.

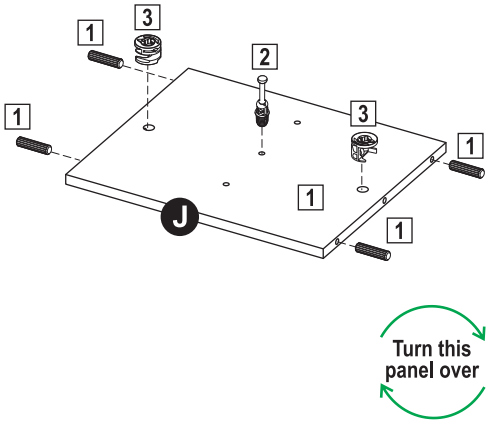
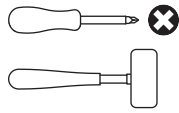
STEP 6 TOOLS REQUIRED




As indicated in the drawing, align the dowel in Right End Panel (I) with Middle Panel (D).
 Use a screwdriver to turn the cam lock until it locks onto the head of the spreading bolt.

STEP 7TOOLS REQUIRED

- J: 1
1: 4
2: 1
3: 2

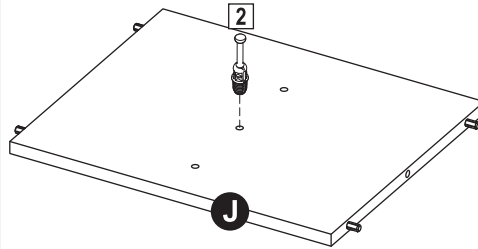
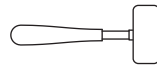


Install four Wood Dowels (1), one Spreading Bolt (2), and two Cam Locks (3) into Right Side Middle Panel (J) as shown.

Turn the panel over.

STEP 8TOOLS REQUIRED

- 2: 1

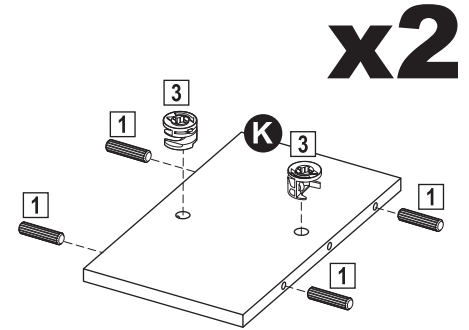
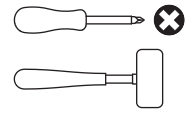


Install one Spreading Bolt (2) into Right Side Middle Panel (J) as shown.

Turn the panel over.

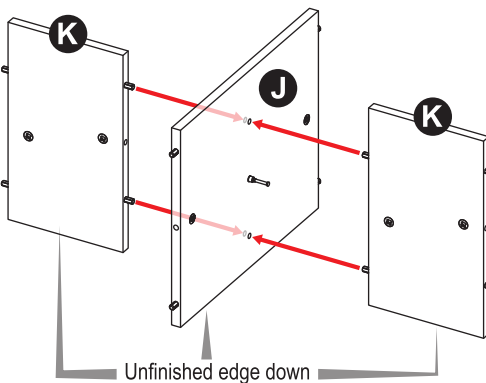
STEP 9TOOLS REQUIRED

- K: 2
1: 8
3: 4



Install four Wood Dowels (1) and two Cam Locks (3) into Right Side Small Shelf (K) as shown.

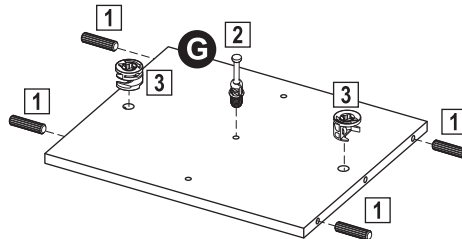
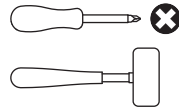
Repeat this step on the remaining Right Side Small Shelf (K).

STEP 10TOOLS REQUIRED

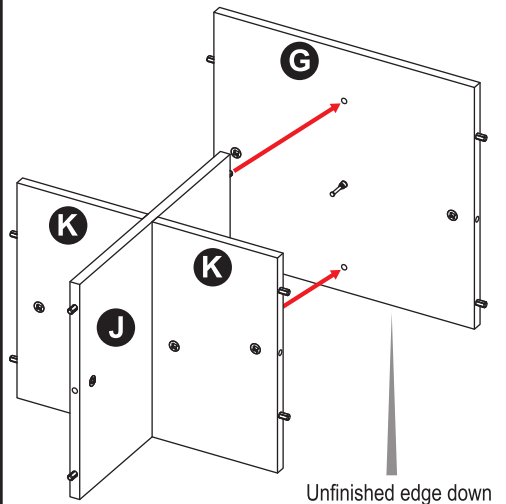
Ensuring the unfinished edges are on the bottom, align two Small Shelves (K) with Right Side Middle Panel (J) and secure the cam locks.

STEP 11TOOLS REQUIRED

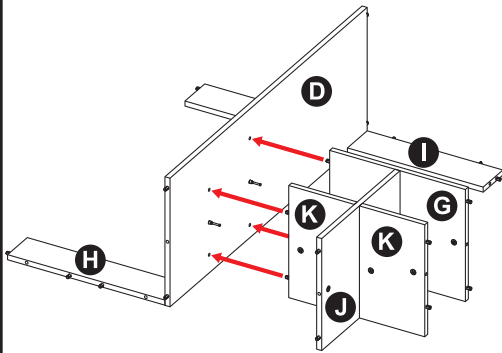
- G: 1
1: 4
2: 1
3: 2



Install four Wood Dowels (1), one Spreading Bolt (2), and two Cam Locks (3) into Right Shelf (G) as shown.

STEP 12TOOLS REQUIRED

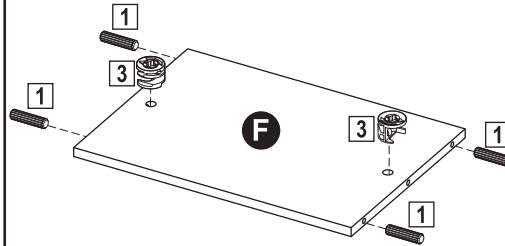
Ensuring all unfinished edges are facing down, align Right Shelf (G) with Right Side Middle Panel (J) and secure the cam lock.

STEP 13 TOOLS REQUIRED

Ensuring the unfinished edges are on the bottom, align Right Shelf (G) and Right Side Small Shelf (K) with Middle Panel (D) and secure the cam locks.

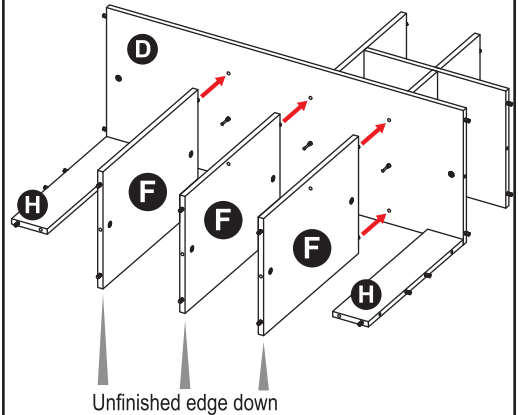
STEP 14 TOOLS REQUIRED

- F: 3
1: 12
3: 6

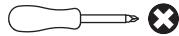
x3

Install four Wood Dowels (1) and two Cam Locks (3) into Left Shelf (F) as shown.

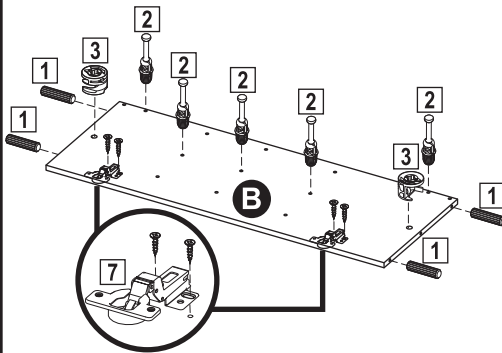
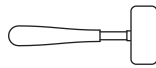
Repeat this step on the two remaining Left Shelves (F).

STEP 15 TOOLS REQUIRED

Ensuring the unfinished edges are on the bottom, align three Left Shelves (F) with Middle Panel (D) and secure the cam locks.

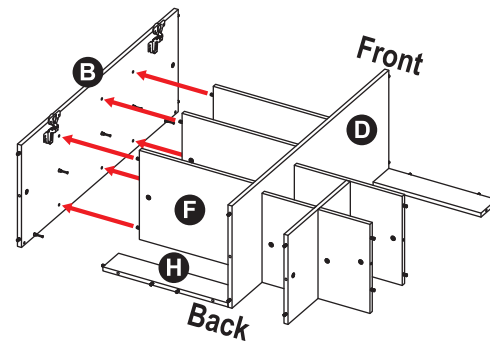
STEP 16 TOOLS REQUIRED

- B: 1
1: 4
2: 5
3: 2
7: 2

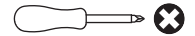


Install four Wood Dowels (1), five Spreading Bolts (2), and two Cam Locks (3) into Left Panel (B) as shown.

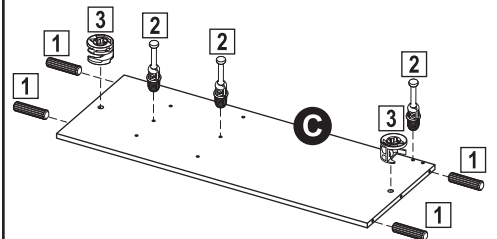
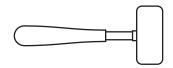
Loosely secure two Hinges (7). Do not fully tighten the hinge screws. Save the remaining screws for Step 27.

STEP 17 TOOLS REQUIRED

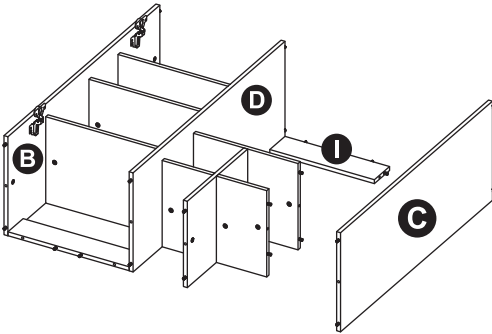
Ensuring the hinges are installed on the front of the unit, fasten Left Panel (B) to Left Shelves (F) and Left End Panels (H) by aligning the dowels and securing the cam locks.

STEP 18 TOOLS REQUIRED

- C: 1
1: 4
2: 3
3: 2



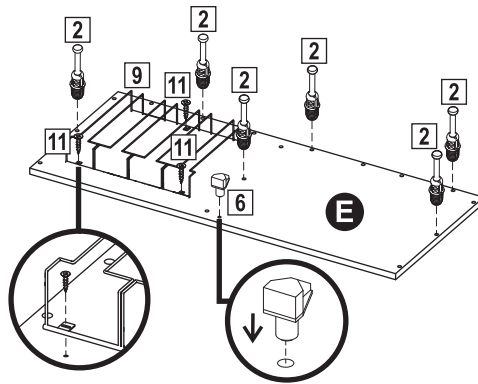
Install four Wood Dowels (1), three Spreading Bolts (2), and two Cam Locks (3) into Right Panel (C) as shown.

STEP 19 TOOLS REQUIRED

As shown, align Right Panel (C) with the right side of the unit and secure the cam locks.

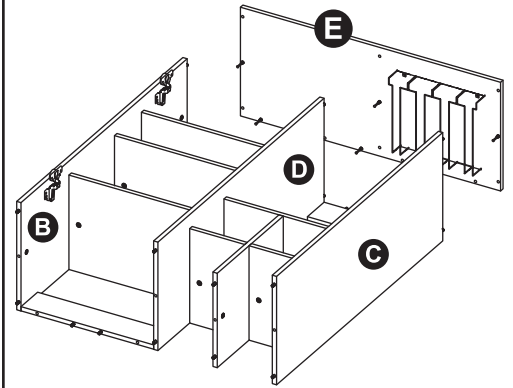
STEP 20 TOOLS REQUIRED

- E: 1
- 2: 6
- 6: 1
- 9: 1
- 11: 3

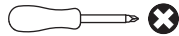


Install six Spreading Bolts (2) and one Door Stop (6) into Top Panel (E) as shown.

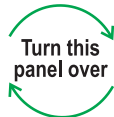
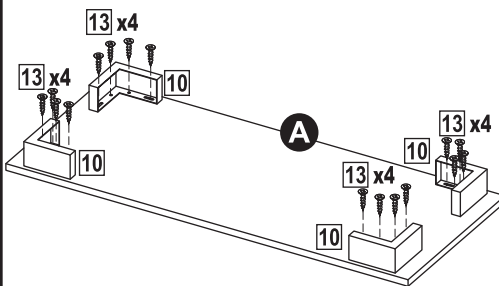
Next, align Stemware Rack (9) and firmly secure using three M6 x 9/16" Flat Screws (11).

STEP 21 TOOLS REQUIRED

Ensuring the glass rack is on the right, align Top Panel (E) with the top of the unit and secure the cam locks.

STEP 22 TOOLS REQUIRED

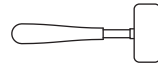
- A: 1
- 10: 4
- 13: 16



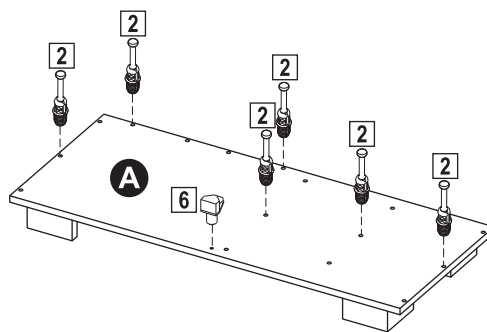
Secure one Foot (10) to the bottom of Bottom Panel (A) using four M6 x 1/2" Screws (13).

Repeat to connect the remaining three Feet (10).

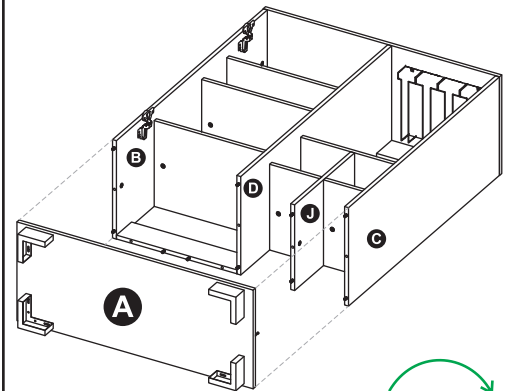
Turn the panel over.

STEP 23 TOOLS REQUIRED

- 2: 6
- 6: 1



Install six Spreading Bolts (2) and one Door Stop (6) into Bottom Panel (A) as shown.

STEP 24 TOOLS REQUIRED

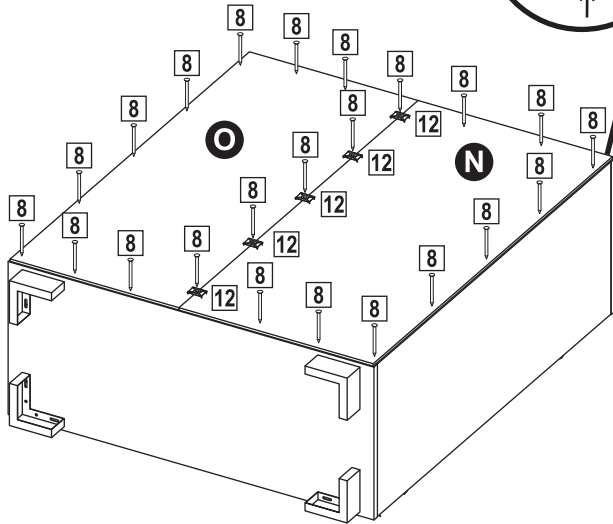
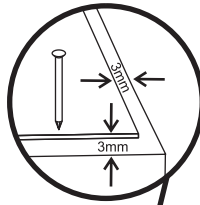
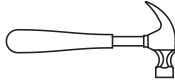
 Assistance is required for turning unit.

Align Bottom Panel (A) with the dowels and cam locks on the bottom of the unit. Secure the cam locks.

With assistance, carefully and gently flip the unit over.

STEP 25 TOOLS REQUIRED

- N: 1
- O: 1
- 8: 23
- 12: 5

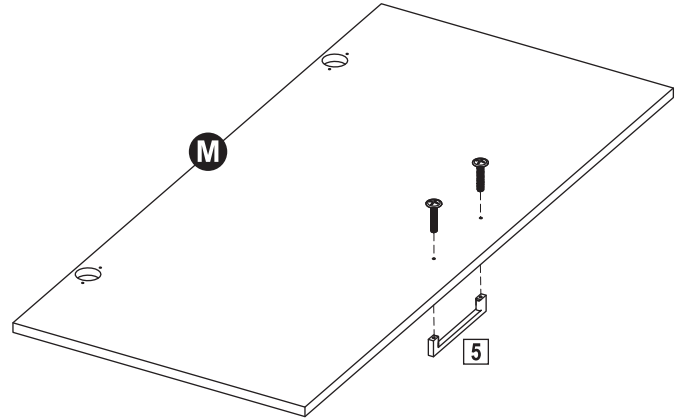


Assistance recommended to hold panels steady while the back panels are fastened.

Place Left Backing Board (N) and Right Backing Board (O) on the back of the cabinet, ensuring they are evenly aligned. Fasten the outer edges using eighteen Nails (8), and the middle using five Rear Panel Clamps (12) and five Nails (8).

STEP 26 TOOLS REQUIRED

- M: 1
- 5: 1



Firmly fasten Handle (5) to Door (M) using the 3/4" Screws that are packaged with the handle.

STEP 27

TOOLS REQUIRED

- L: 4
- 4: 31

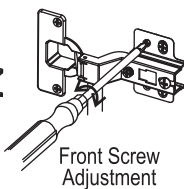
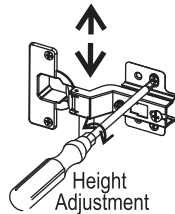
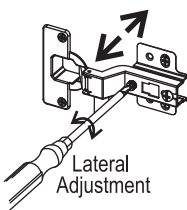
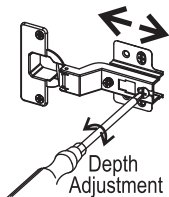
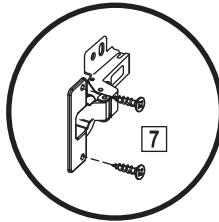


Assistance is recommended for this step.



Before beginning this step, refer to the *Door Adjustment Procedure*, below.

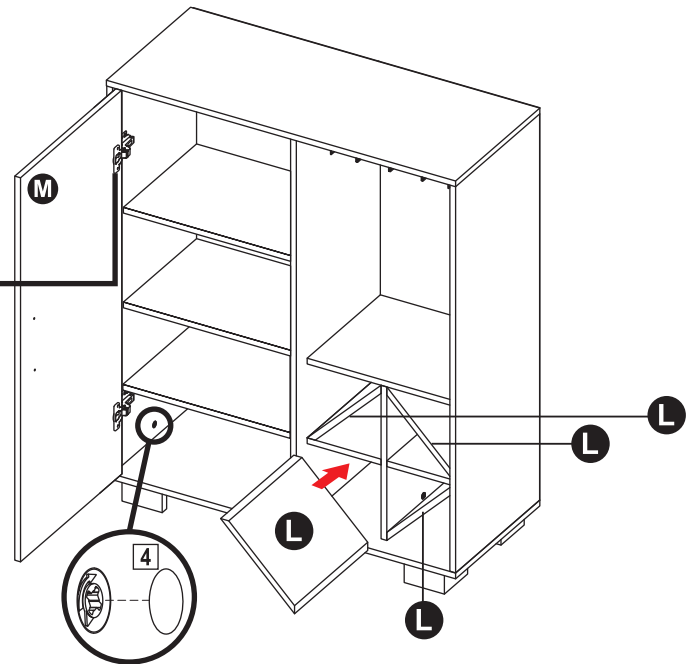
With assistance, align Door (M) with Left Panel (B) and secure the hinges to the door using the remaining 1/2" Screws.



Door Adjustment Procedure:

Please note, care must be taken during hinge adjustment to avoid damage.

Only a slight adjustment is required. Rotate the Door Adjustment screw 1/8 to 1/4 turns at a time, then check the door position. Rotate adjustment screws as necessary until doors are properly aligned.

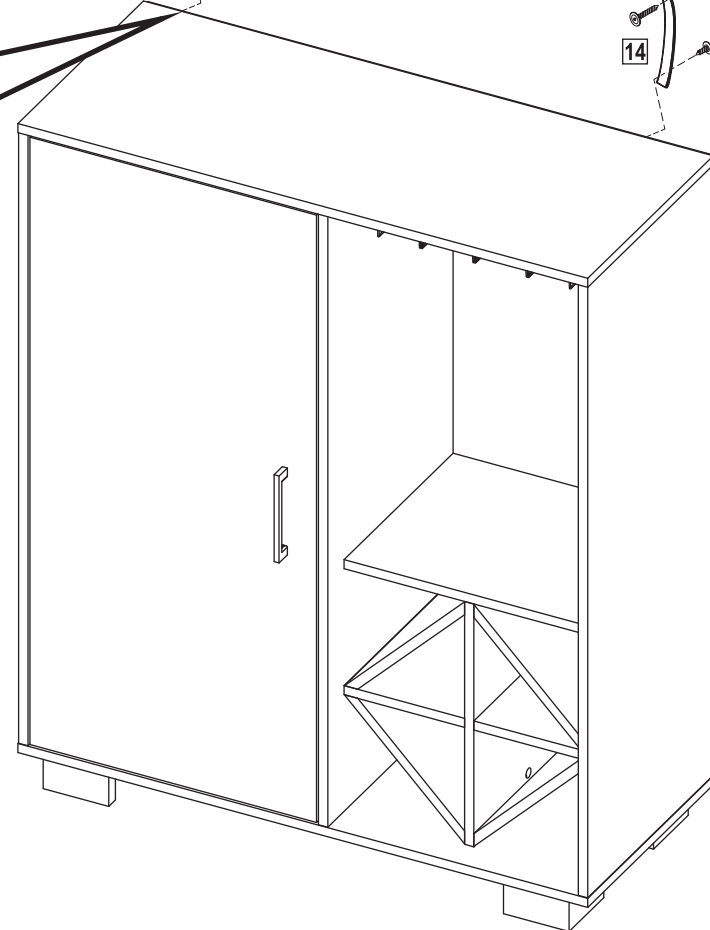
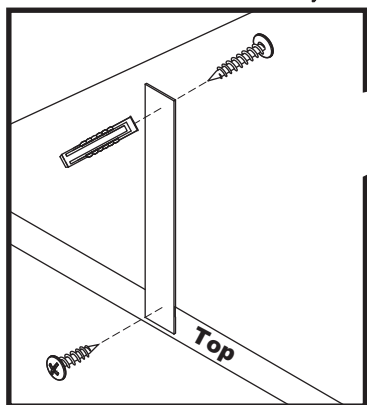
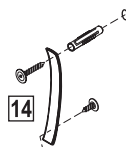
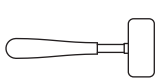


With the angled edges facing inward, slide four Diagonal Panels (L) into the spaces on the bottom right of the unit, as shown.

Cover all cam locks using Cover Caps (4).

STEP 28 TOOLS REQUIRED

14: 2



Assistance required for moving the furniture.



WARNING:

Check for pipes and electrical wiring before drilling. When in doubt, consult a certified professional.



IMPORTANT:

Carefully measure the location of pilot hole before drilling and installing the wall anchor.

IMPORTANT: The included wall anchor is suitable for drywall. Use a drill bit suited for your wall material; if the drill bit is too large, the tipover restraint system will be faulty.

If in doubt about installing the tipover restraint system, consult a certified professional.

Carefully measure and mark the location of screw installation and pilot holes before drilling. Measure twice, drill once!

Tipover Restraint Installation

- Use a 1/8" drill bit to drill two small pilot holes on the back of the furniture top.
- Securely fasten one end of the tipover restraint strap using the M8 x 1/2" Screw. Repeat to connect the second strap.
- Place the unit against the wall and mark the position for drilling the wall anchor pilot hole.
- Use a power drill with a 1/4" drill bit to drill pilot holes to the depth of the wall anchor, approximately 30mm deep. For walls made from softer materials, we recommend using a smaller drill bit to ensure the wall anchor remains snug inside the pilot hole.
- Insert the wall anchor until the wall anchor opening is flush with the wall.
- Align the unit with the wall anchor and secure the unit to the wall using the included M8 x 1" Screw.

NOTICE: Manufacturer and seller expressly disclaim any and all liability from personal injury, property damage or loss, whether direct or indirect, or incidental, resulting from the incorrect attachment, improper use, inadequate maintenance, or neglect of this product.

SAFETY STATEMENTS & WARNINGS

- For indoor use only.
- This product is for residential use only; institutional or commercial use will automatically void the warranty.
- Ensure all fittings are tight before use. Periodically check fittings to ensure they remain tight.
- Only use this unit on a flat, level surface.
- Never sit, stand or climb on the unit.
- Never allow children to stand, climb, or hang on doors or shelves.
- Do not place hot items or liquids directly on the furniture.
- Never use chemical cleaning products or polishes as doing so may damage the finish.
- Do not exceed the weight capacity of the furniture.
- Do not overload shelves as doing so may cause them to sag.
- Always place the heaviest items on the lowest shelves.
- Avoid long-term exposure to sunlight.
- Avoid placing the unit near heating or cooling vents as forced air is very drying and can damage the unit.
- Do not write on furniture without a padded barrier to protect the surface.

Any modification to the product or failure to follow recommended care will void the product warranty.

If you experience issues with assembly or the product was damaged during shipping, please contact our customer service team directly through one of the methods mentioned at the top of page 1. Please have the item number and order information ready to expedite response time.

NOTICE:

Manufacturer and seller expressly disclaim any and all liability from personal injury, property damage or loss, whether direct or indirect, or incidental, resulting from the incorrect attachment, improper use, inadequate maintenance, or neglect of this product.