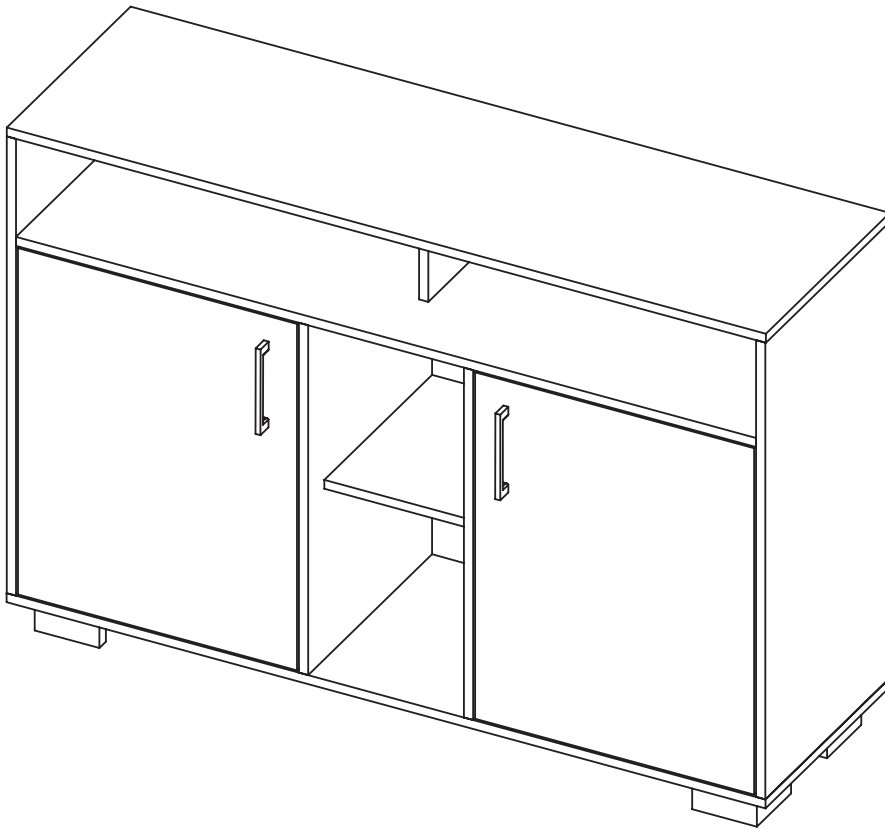
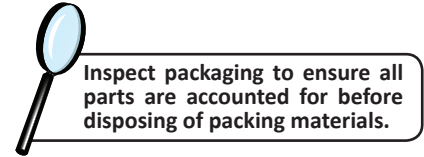


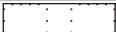

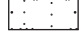
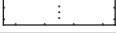
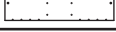
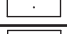
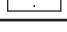
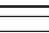
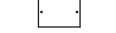






Thank you for choosing Sunnydaze Decor. We stand behind our brand and the quality of the items we sell. Replacement parts or products will be sent at our discretion within the 1-year warranty period. Proof of purchase, with the date of purchase as well as photos of the merchandise defect, must be provided. Photos are used to determine the cause of defects and for future quality control. Register your warranty at <https://tiny.cc/SunnydazeWarranty>. If you have any questions, comments or concerns, feel free to contact us by phone at 833-982-1977, by email: [customerservice@sunnydazedecor.com](mailto:customerservice@sunnydazedecor.com), or via our contact us page at <https://tiny.cc/SunnydazeContact>













# SIDEBOARD STORAGE & BUFFET CABINET

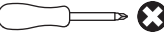
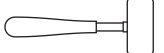
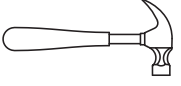

## RTA-072

Carefully review assembly and care instructions before using this product. Save this document for future reference.  
**Assemble components on a soft, clean surface to avoid scratching or damaging the finish.**



No.	PARTS		QTY.
A		Bottom Panel	1
B		Left Panel	1
C		Right Panel	1
D		Top Panel	1
E		Shelf	1
F		Left Middle Panel	1
G		Right Middle Panel	1
H		End Panel	4
I		Upper Back Panel	1
J		Side Shelf	2
K		Middle Shelf	1
L		Right Door	1
M		Left Door	1
N		Backing Board	2
O		Middle Panel	1

No.	HARDWARE		QTY.
1		Wood Dowel	58
2		Spreading Bolt	40
3		Cam Lock	40
4		Cover Cap	40
5		Handle + 3/4" Screws	2
6		Door Stop	2
7		Hinge + M8 x 1/2" Screws	4
8		Nail	24
9		Foot	4
10		M6 x 1/2" Flat Screw	16
11		Rear Panel Clamp	4
12		Tipover Restraint Kit	2

TOOLS REQUIRED (not included)			
			
Phillips Screwdriver	Rubber Mallet	Hammer	Power Drill with 1/8" Bit & 1/4" Bit

**! WARNING !**  
**CHOKING HAZARD** — This item contains small parts that can be swallowed. Keep children and pets away during assembly.

# INTRODUCTION

**Read the manual carefully to ensure you fully understand all use, care, assembly, and safety information.**



Read this manual carefully and follow the assembly instructions in the order listed. Pay close attention to assembly drawings.



Regularly clean with a clean microfiber cloth to prevent dust accumulation.



Do not paint the unit. Do not use abrasive materials or cleaners to clean the furniture; only use a slightly moistened cloth.



Indoor use only. Do not expose the furniture to heat or humidity.



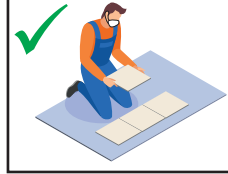
When cleaning nearby the furniture, do not allow contact with water or cleaners as they can deteriorate the furniture.



Do not allow metal components to come in contact with water or cleaners as it may cause rust and staining.



Assemble on a soft, flat, clean, and dry surface.



Use a soft, protective barrier when assembling the furniture.

**TIP:** Use the box carton as a protective layer to separate and protect the parts from scratches and other damage during assembly.



Do not push or drag furniture as doing so may damage the unit.

Only move furniture when it is empty.

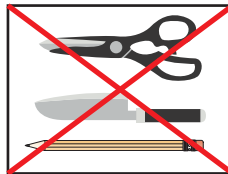


Always ask for help when moving furniture.



**Avoid Accidents** - Do not climb, sit or stand on the furniture.

Do not allow children to play on or inside the furniture.



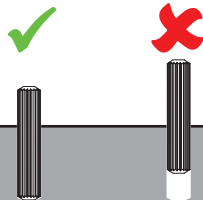
Keep sharp objects away as they may scratch or damage the unit.

Do not use the furniture as a writing surface without a padded barrier.

## ⚠ IMPORTANT INSTALLATION INFORMATION ⚠

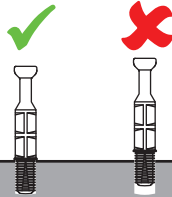
For the stability of the unit, it is important that furniture connectors are installed correctly. See drawings and tips below for proper installation.

### Wood Dowel



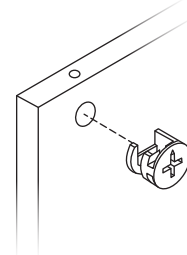
Install wood dowels by gently tapping them into the designated hole using a rubber mallet.

### Spreading Bolt



Install Spreading Bolts by firmly pressing them into the hole or gently tapping with a rubber mallet until the shoulder is flush with the panel.

### Cam Lock



Align the cam lock opening (arrow) with the pre-drilled hole on the side of the panel. Use a screwdriver to adjust alignment as needed.

# ASSEMBLY

Review all steps carefully and understand assembly before beginning.

**STEP 1** TOOLS REQUIRED

B: 1  
1: 4  
2: 5  
3: 2  
7: 2

Install four Wood Dowels (1), five Spreading Bolts (2), and two Cam Locks (3) into Left Panel (B). Then secure two Hinges (7), as shown. Do not fully tighten the hinge screws. Save the remaining screws for Step 33.

**STEP 2** TOOLS REQUIRED

C: 1  
1: 4  
2: 5  
3: 2  
7: 2

Install four Wood Dowels (1), five Spreading Bolts (2), and two Cam Locks (3) into Right Panel (C). Then secure two Hinges (7). Do not fully tighten the hinge screws. Save the remaining screws for Step 33.

**STEP 3**

D: 1  
2: 5

Install five Spreading Bolts (2) into Top Panel (D).

**STEP 4** TOOLS REQUIRED

E: 1  
1: 4  
2: 3

Turn this panel over

Install four Wood Dowels (1), and three Spreading Bolts (2) into Shelf (E) as shown. Turn the shelf over.

**STEP 5** TOOLS REQUIRED

2: 6  
3: 2

Install six Spreading Bolts (2) and two Cam Locks (3) into Shelf (E) as shown.

**STEP 6** TOOLS REQUIRED

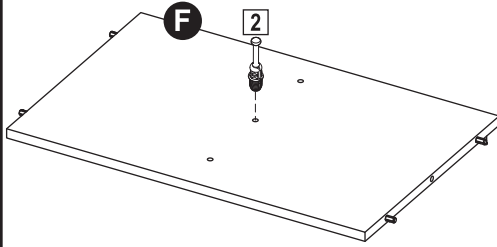
F: 1  
1: 4  
2: 3  
3: 2

Turn this panel over

Install four Wood Dowels (1), three Spreading Bolts (2), and two Cam Locks (3) into Left Middle Panel (F) as shown. Turn the panel over.

### STEP 7

2: 1



Install one Spreading Bolt (2) into Left Middle Panel (F) as shown.

### STEP 8

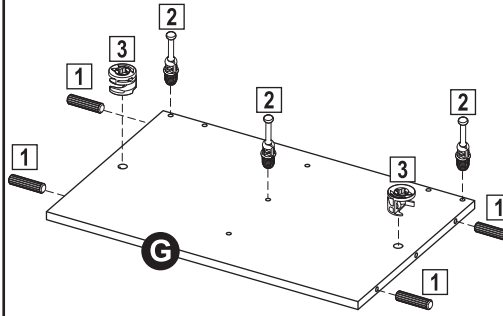
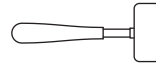
#### TOOLS REQUIRED

G: 1

1: 4

2: 3

3: 2

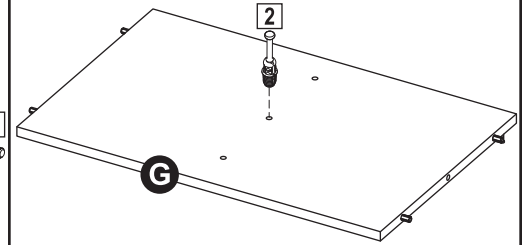


Install four Wood Dowels (1), three Spreading Bolts (2), and two Cam Locks (3) into Right Middle Panel (G) as shown.

Turn the panel over.

### STEP 9

2: 1



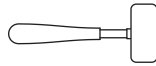
Install one Spreading Bolt (2) into Right Middle Panel (G) as shown.

### STEP 10 TOOLS REQUIRED

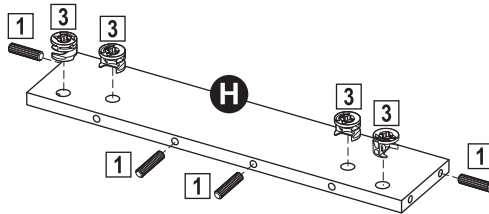
H: 4

1: 16

3: 16



# x4



Install four Wood Dowels (1) and four Cam Locks (3) into End Panels (H) as shown.

Repeat this step on the remaining three End Panels (H).

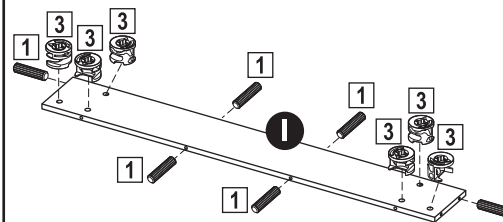
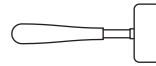
### STEP 11

#### TOOLS REQUIRED

I: 1

1: 6

3: 6



Install six Wood Dowels (1) and six Cam Locks (3) into Upper Back Panel (I) as shown.

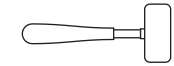
### STEP 12

#### TOOLS REQUIRED

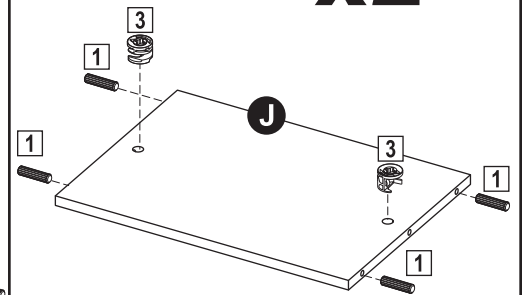
J: 2

1: 8

3: 4



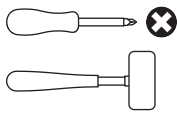
# x2

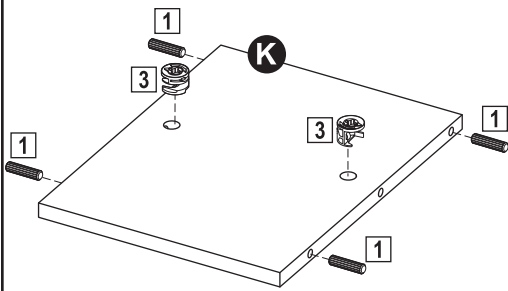


Install four Wood Dowels (1) and two Cam Locks (3) into Side Shelf (J) as shown.

Repeat this step on the remaining Side Shelf (J).

**STEP 13** TOOLS REQUIRED

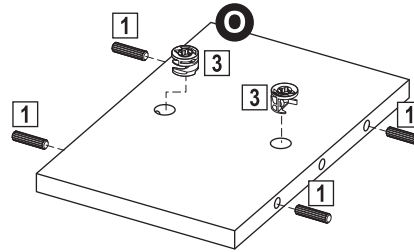
- K:** 1  
**1:** 4  
**3:** 2
- 



Install four Wood Dowels (1) and two Cam Locks (3) into Middle Shelf (K) as shown.

**STEP 14** TOOLS REQUIRED

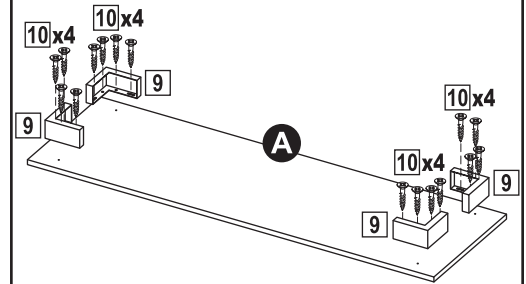
- O:** 1  
**1:** 4  
**3:** 2
- 



Install four Wood Dowels (1) and two Cam Locks (3) into Middle Panel (O) as shown.

**STEP 15** TOOLS REQUIRED

- A:** 1  
**9:** 4  
**10:** 16
- 



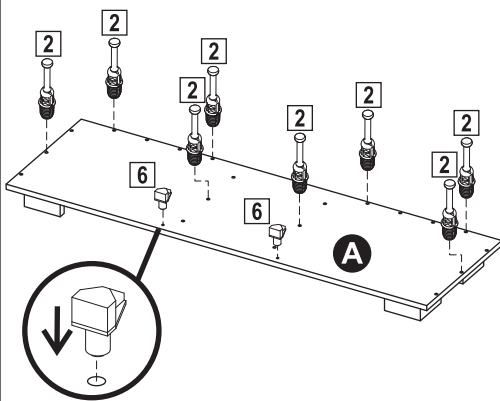
Secure one Foot (9) to the bottom of Bottom Panel (A) using four M6 x 1/2" Screws (10).

Repeat this step to secure the remaining three Feet (9).

Turn the panel over.

**STEP 16**

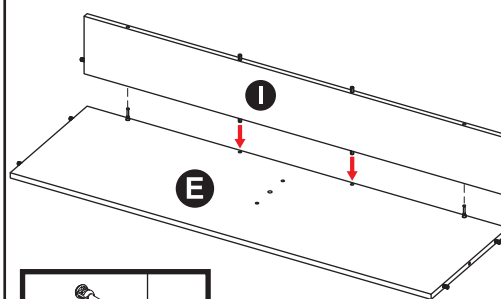
- 2:** 8  
**6:** 2



Install eight Spreading Bolts (2), and two Door Stops (6) into Bottom Panel (A) as shown.

**STEP 17** TOOLS REQUIRED


- 

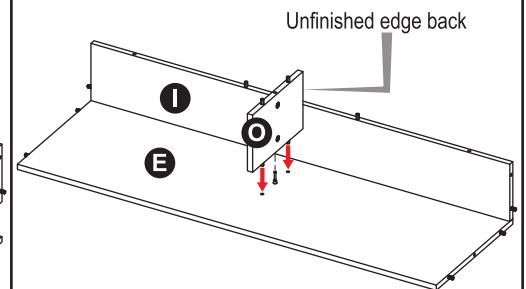


Ensuring the panels are installed facing the directions shown in the diagram, place Upper Back Panel (I) onto Shelf (E).

Use a screwdriver to turn each cam lock until it locks onto the head of the spreading bolt.

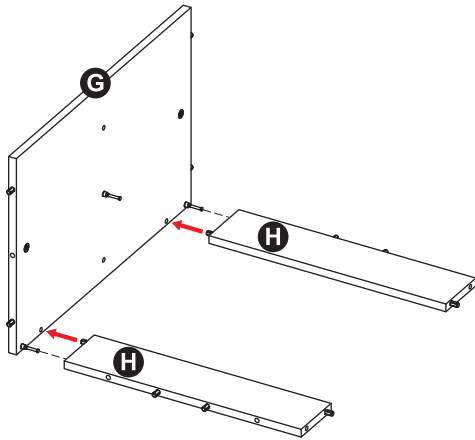
**STEP 18** TOOLS REQUIRED

- 

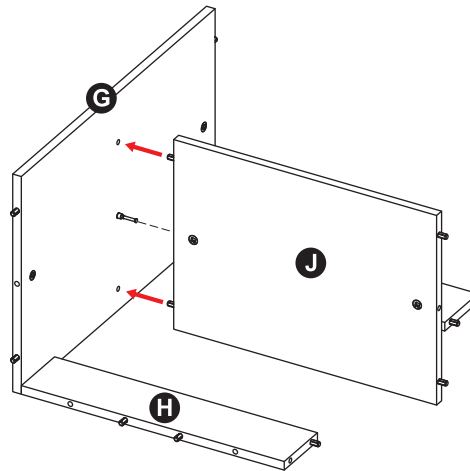


Ensuring the unfinished edge is facing the back panel, align Middle Panel (O) with Shelf (E) as shown.

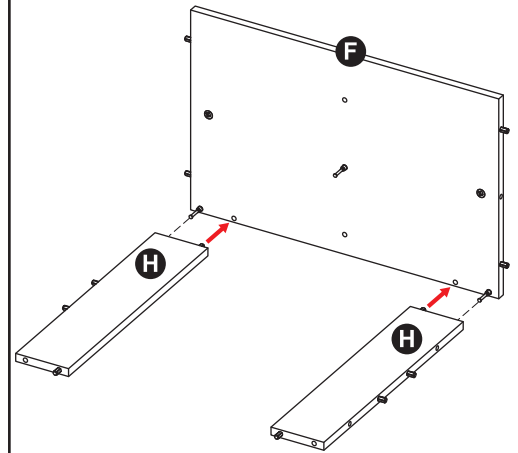
Use a screwdriver to turn the cam lock until it locks onto the head of the spreading bolt.

**STEP 19** TOOLS REQUIRED

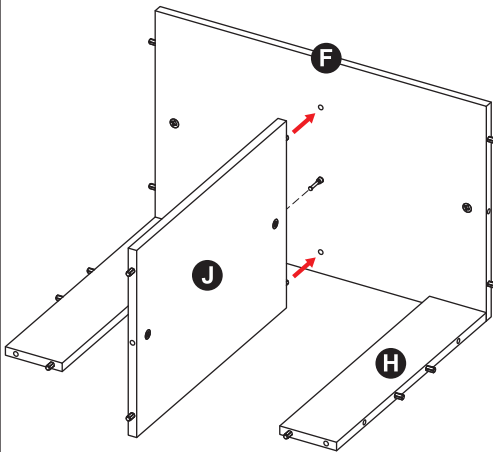
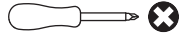
Ensuring panels are installed as shown in the diagram, align two End Panels (H) with Right Middle Panel (G) and secure the cam locks.

**STEP 20** TOOLS REQUIRED

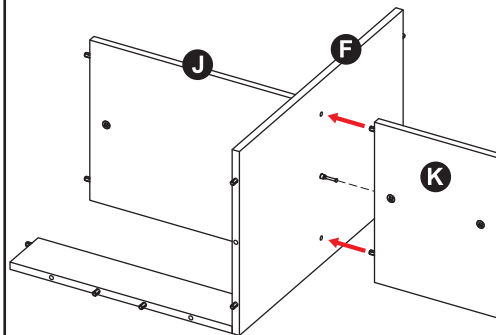
As indicated in the drawing, align one Side Shelf (J) with Right Middle Panel (G) and secure the cam lock.

**STEP 21** TOOLS REQUIRED

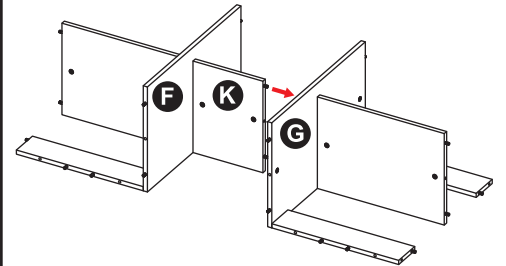
Ensuring panels are installed as shown in the diagram, align two End Panels (H) with Left Middle Panel (F) and secure the cam locks.

**STEP 22** TOOLS REQUIRED

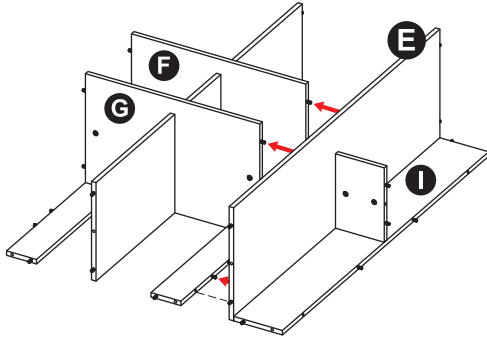
As indicated in the drawing, align the remaining Side Shelf (J) with Left Middle Panel (F) and secure the cam lock.

**STEP 23** TOOLS REQUIRED

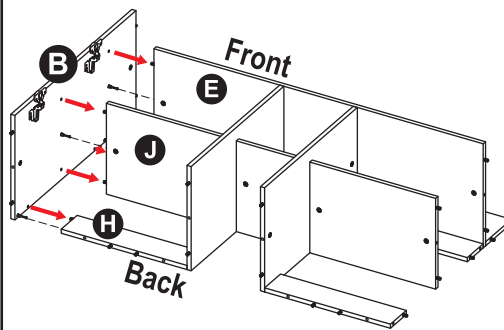
Ensuring the cam locks are installed on the same side as Side Shelf (J), align Middle Shelf (K) with Left Middle Panel (F) and secure the cam lock.

**STEP 24** TOOLS REQUIRED

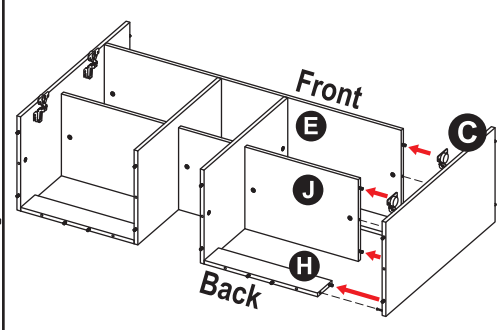
Align Right Middle Panel (G) with Middle Shelf (K) and secure the cam lock.

**STEP 25** TOOLS REQUIRED

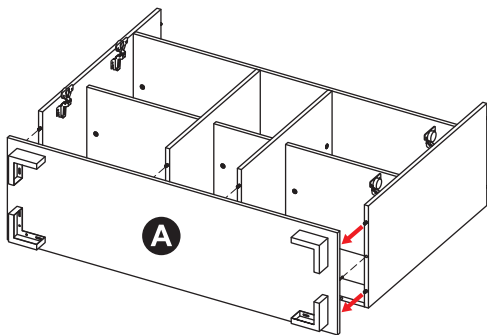
Align Shelf (E) with Left Middle Panel (F) and Right Middle Panel (G). Then, secure the cam locks.

**STEP 26** TOOLS REQUIRED

Ensuring the hinges are installed on the front of the unit, fasten Left Panel (B) to the left-side assembled components (E, J, H) by aligning the dowels and securing the cam locks.

**STEP 27** TOOLS REQUIRED

Ensuring the hinges are installed toward the front of the unit, fasten Right Panel (C) to the right-side assembled components (E, J, H) by aligning the dowels and securing the cam locks.

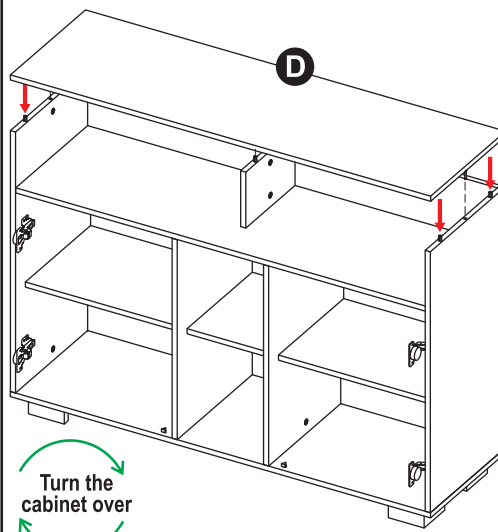
**STEP 28** TOOLS REQUIRED

 Assistance is required for turning unit.



Align Bottom Panel (A) with the bottom of the unit and secure the cam locks.

With assistance, carefully lift the unit and set it upright.

**STEP 29** TOOLS REQUIRED

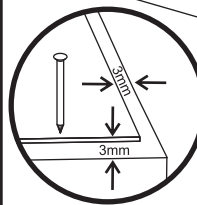
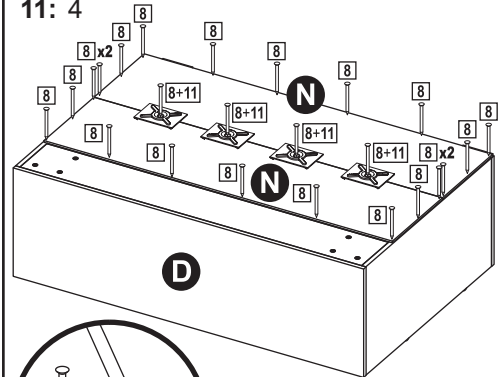
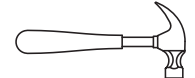
Place Top Panel (D) on the top of the unit and secure the cam locks. With assistance, carefully lift the unit and place it face-down on a soft, clean surface.

**STEP 30** TOOLS REQUIRED

N: 2

8: 24

11: 4



Place two Backing Boards (N) onto the back, bottom of the cabinet, ensuring they are evenly aligned.

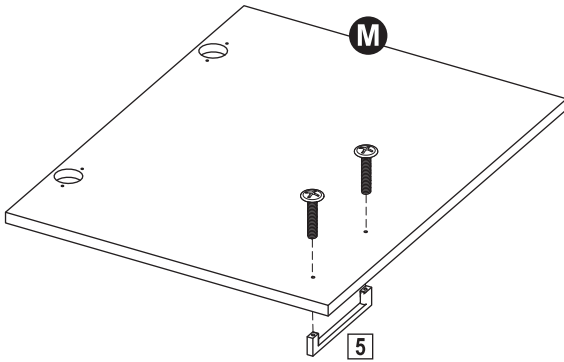
Fasten the outer edges using twenty Nails (8), and the middle using four Rear Panel Clamps (11) and four Nails (8).

**STEP 31** TOOLS REQUIRED

M: 1



5: 1



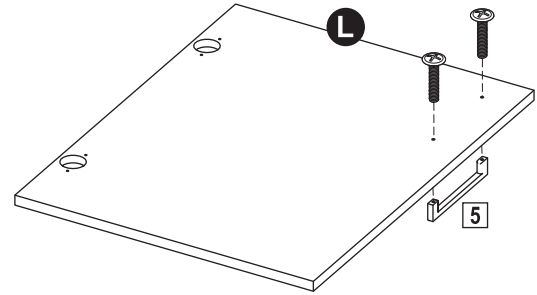
Ensuring the bolts install on the same side as the hinges, firmly fasten one Handle + 3/4" Screw (5) to Left Door (M).

**STEP 32** TOOLS REQUIRED

L: 1



5: 1



Ensuring the bolts install on the same side as the hinges, firmly fasten one Handle + 3/4" Screw (5) to Right Door (L).

**STEP 33** TOOLS REQUIRED

4: 40



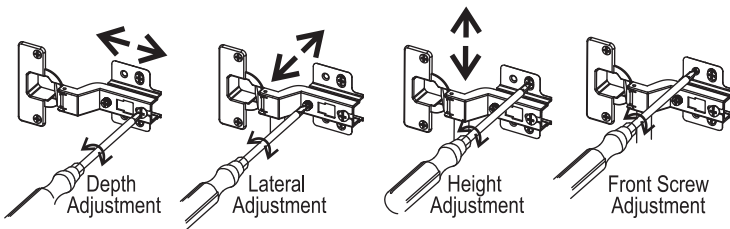
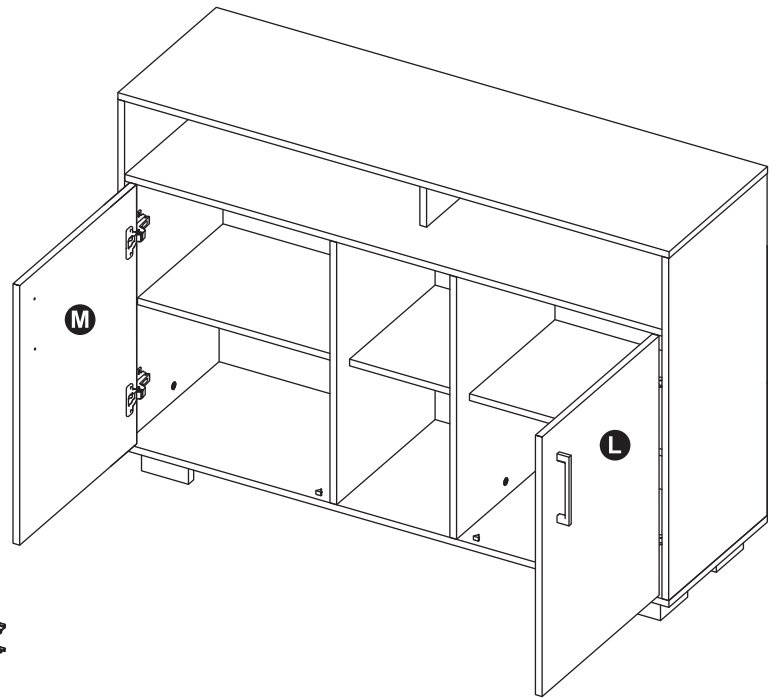
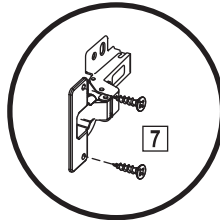
Assistance is recommended for this step.



Before beginning this step, refer to the *Door Adjustment Procedure*, below.

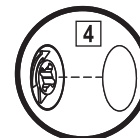
With assistance, align Left Door (M) with Left Panel (B) and secure the hinges to the door using the remaining 1/2" Screws.

Repeat this step to secure Right Door (L) to Right Panel (C).

**Door Adjustment Procedure:**

**Please note**, care must be taken during hinge adjustment to avoid damage.

Only a slight adjustment is required. Rotate the Door Adjustment screw 1/8 to 1/4 turns at a time, then check the door position. Rotate adjustment screws as necessary until doors are properly aligned.

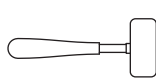
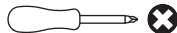


Cover all cam locks using Cover Caps (4).



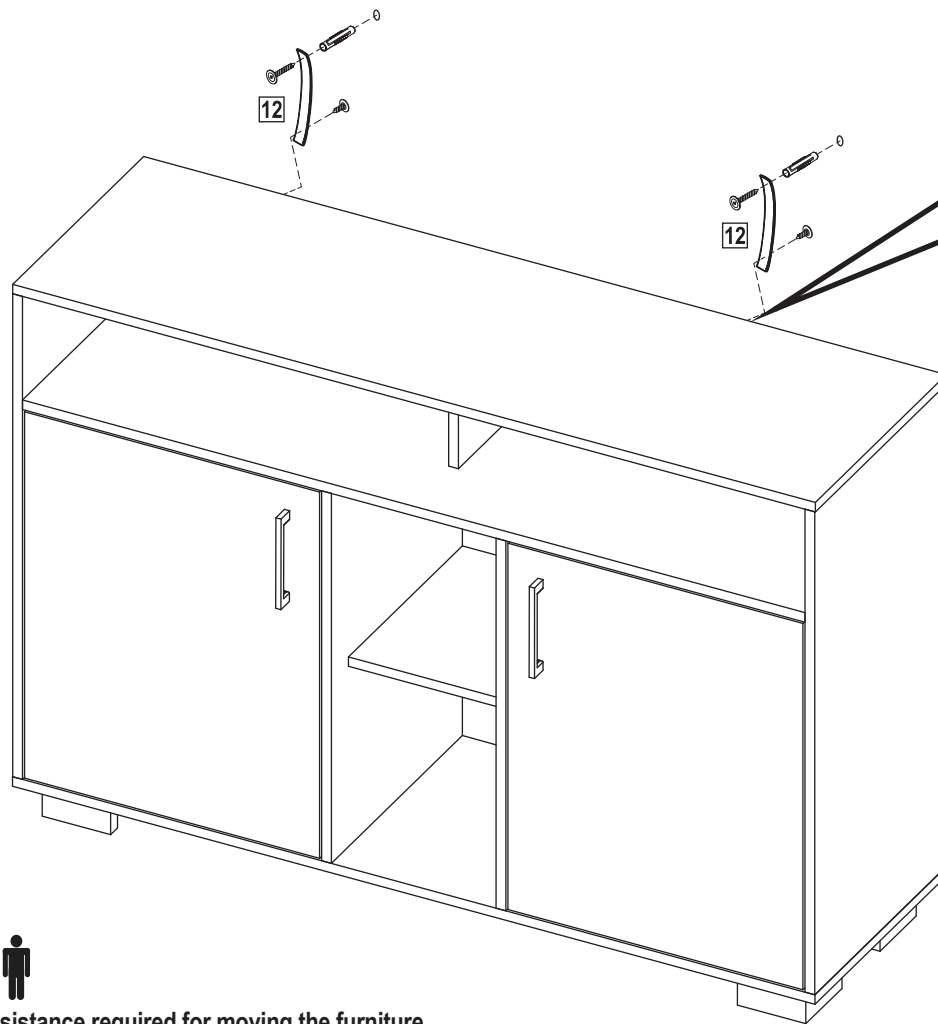
## STEP 34 TOOLS REQUIRED

12: 2



### **WARNING:**

Check for pipes and electrical wiring before drilling. When in doubt, consult a certified professional.



### **IMPORTANT:**

Carefully measure the location of pilot hole before drilling and installing the wall anchor.

**IMPORTANT:** The included wall anchor is suitable for drywall. Use a drill bit suited for your wall material; if the drill bit is too large, the tipover restraint system will be faulty.

If in doubt about installing the tipover restraint system, consult a certified professional.

Carefully measure and mark the location of screw installation and pilot holes before drilling. Measure twice, drill once!



Assistance required for moving the furniture.

## Tipover Restraint Installation

- Use a 1/8" drill bit to drill two small pilot holes on the back of the furniture top.
- Securely fasten one end of the tipover restraint strap to the Top Panel (D) using one M8 x 1/2" Screw. Repeat to connect the second strap.
- Place the unit against the wall and mark the position for drilling the wall anchor pilot hole.
- Use a power drill with a 1/4" drill bit to drill pilot holes to the depth of the wall anchor, approximately 30mm deep. For walls made from softer materials, we recommend using a smaller drill bit to ensure the wall anchor remains snug inside the pilot hole.
- Insert the wall anchor until the wall anchor opening is flush with the wall.
- Align the unit with the wall anchor and secure the unit to the wall using the included M8 x 1" Screw.

 **NOTICE:** Manufacturer and seller expressly disclaim any and all liability from personal injury, property damage or loss, whether direct or indirect, or incidental, resulting from the incorrect attachment, improper use, inadequate maintenance, or neglect of this product.

## SAFETY STATEMENTS & WARNINGS

- For indoor use only.
- This product is for residential use only; institutional or commercial use will automatically void the warranty.
- Ensure all fittings are tight before use. Periodically check fittings to ensure they remain tight.
- Only use this unit on a flat, level surface.
- Never sit, stand or climb on the unit.
- Never allow children to stand, climb, or hang on doors or shelves.
- Do not place hot items or liquids directly on the furniture.
- Never use chemical cleaning products or polishes as doing so may damage the finish.
- Do not exceed the weight capacity of the furniture.
- Do not overload shelves as doing so may cause them to sag.
- Always place the heaviest items on the lowest shelves.
- Never put a television on this item.
- Avoid long-term exposure to sunlight.
- Avoid placing the unit near heating or cooling vents as forced air is very drying and can damage the unit.
- Do not use furniture as a writing surface without a padded barrier to protect the surface.

**Any modification to the product or failure to follow recommended care will void the product warranty.**

*If you experience issues with assembly or the product was damaged during shipping, please contact our customer service team directly through one of the methods mentioned at the top of page 1. Please have the item number and order information ready to expedite response time.*

## NOTICE:

**Manufacturer and seller expressly disclaim any and all liability from personal injury, property damage or loss, whether direct or indirect, or incidental, resulting from the incorrect attachment, improper use, inadequate maintenance, or neglect of this product.**