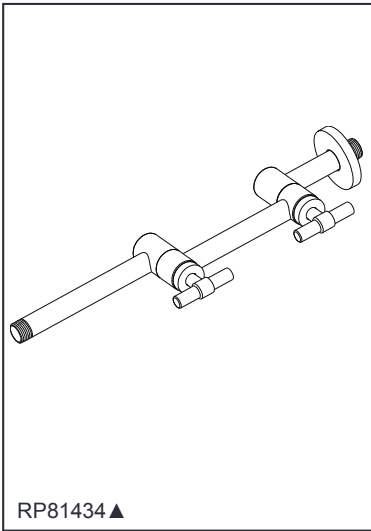


BRIZO®

JOINTED SHOWER ARM AND FLANGE

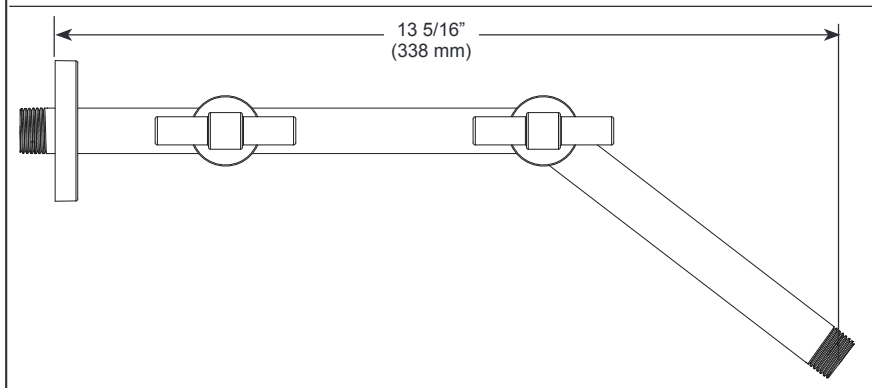
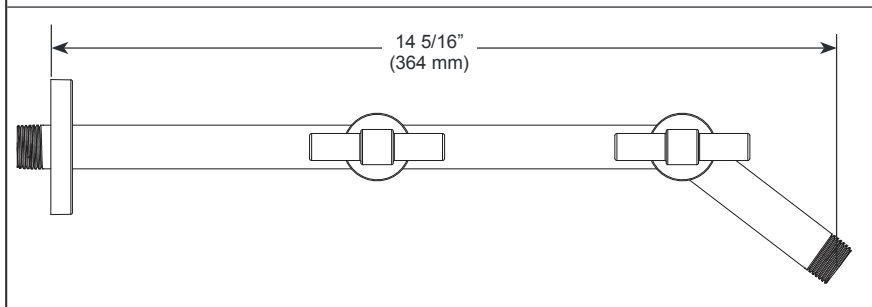
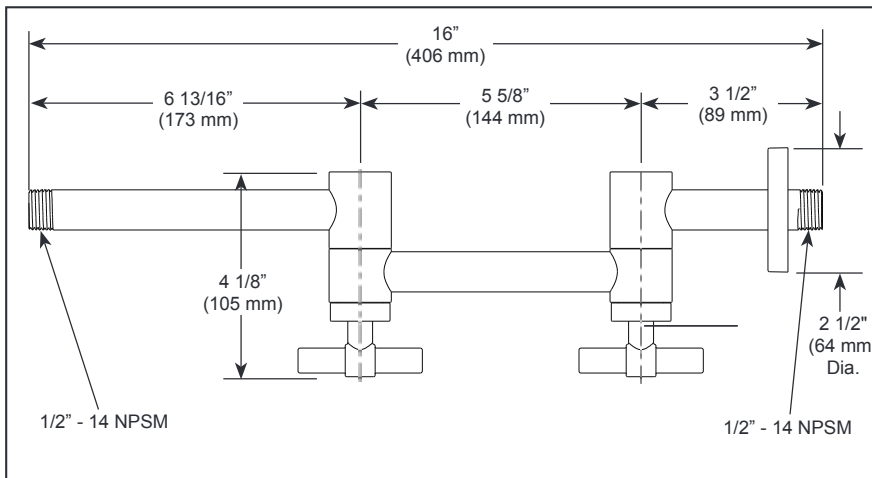
n Litze™ Bath Collection



RP81434 ▲

Submitted Model No.: _____

Specific Features: _____



▲ Designate finish suffix

Brizo Kitchen & Bath Company reserves the right (1) to make changes in specifications and materials, and (2) to change or discontinue models, both without notice or obligation. Dimensions are for reference only. See current full-line price book or www.brizo.com for finish options and product availability.

BSP-B-RP81434 Rev. B

STANDARD SPECIFICATIONS:

- Threaded nipples, joint and flange are of solid metal construction
- Adjustable flange is held in place on showerarm by rubber friction ring
- Two joints allow adjustment of showerhead position and angle
- Shower arm can be installed with either end mounted to the wall

WARRANTY

- Lifetime limited warranty on parts (other than electronic parts and batteries) and finishes; or, for commercial users, for 5 years from date of purchase.
- 5 year limited warranty on electronic parts (other than batteries); or, for commercial users, for 1 year from the date of purchase. No warranty is provided on batteries.

COMPLIES WITH:

- ASME A112.18.1 / CSA B125.1

Brizo Kitchen & Bath Company
 Indianapolis, Indiana 46280
 A Division of Masco Corporation of Indiana
 © 2016 Brizo Kitchen & Bath Company