

American Standard

Edgemere™ Pressure Balancing Bath and Shower Trim Kit

MODEL NUMBER

TU018500
TU018501
TU018502
TU018507
TU018508

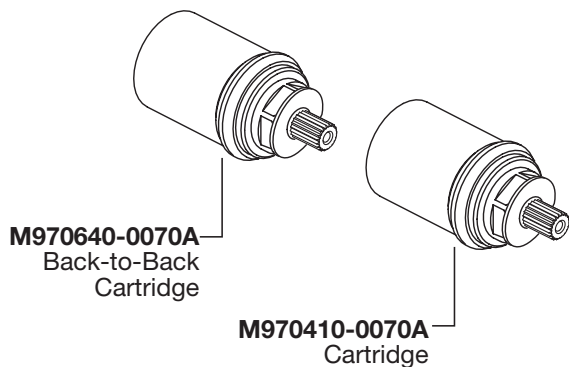
M970138-YYY0A
Shower Arm & Flange



M970145-002250A
Shower Head (2.5 gpm)

M970145-002180A
Shower Head (1.8 gpm)

PURCHASE SEPARATELY



M970640-0070A
Back-to-Back
Cartridge

M970410-0070A
Cartridge

M970139-YYY0A
Decorative Plate

M907051-YYY0A
Cover

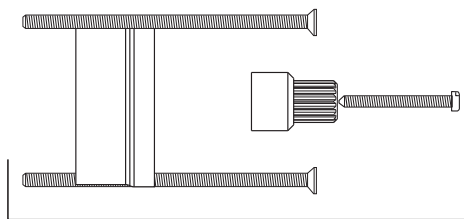
M970579-0070A
Screw & Adapter Kit

M970448-YYY0A
Escutcheon & Screws

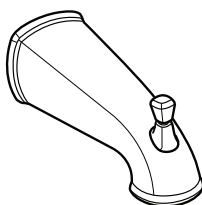
M970114-YYY0A
Set Screw & Button Kit

M970057-YYY0A
Lever Handle Kit

PURCHASE SEPARATELY



M954805-YYY0A
Deep Rough-in Kit



NOTE: TO AVOID SHOWER RISE OR OTHER RELATED ISSUES, DO NOT USE PEX CONNECTIONS ON ANY OF THE OUTLETS.

Replace the "YYY" with appropriate finish code

CHROME	002
BRUSHED NICKEL	295
LEGACY BRONZE	278

HOT LINE FOR HELP

For toll-free information and answers to your questions, call:
1 (800) 442-1902

Mon. - Fri. 8:00 a.m. to 8:00 p.m. EST
Saturday 10:00 a.m. to 4:00 p.m. EST

IN CANADA 1-800-387-0369
(TORONTO 1-905-306-1093)

Weekdays 8:00 a.m. to 7:00 p.m. EST

IN MEXICO 01-800-839-1200



PART OF **LIXIL**