



PR704

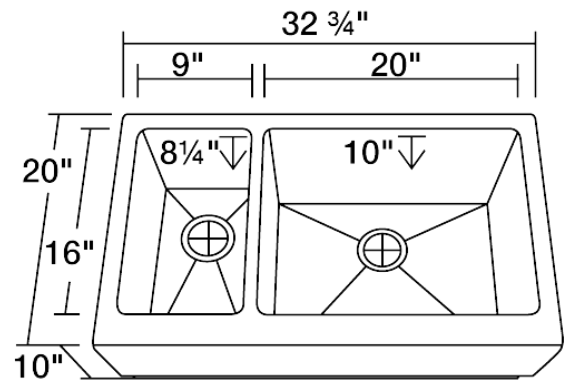
Offset Apron Sink

If you need diversity in your apron style, stainless steel sink, the PR704 may be just what you require. With the same overall size of the p504 and p604 models, the PR704 is divided into two unequal sized bowls, and can be ordered in reverse formats. As all our apron stainless steel sinks, it is created from the industry standard 304 grade steel and of 16-gauge thickness - a full 25% thicker than standard 18-gauge. Most models are made of one-piece construction which ensures the sturdiest stainless steel sink available. Fully insulated, it has a sound dampening pad and brushed finish which tends to hide minor scratches. It also comes with our limited lifetime warranty.

Tech Specs

- Farmhouse-Style/Apron Sink Installation
- 16-Gauge Steel
- Certified High-Quality 304 Stainless Steel
- Brushed Satin Finish
- Offset Drain
- Thick Sound Dampener Rubber Pad
- Fully Insulated
- Lifetime Warranty

Dimensions



Accessories Available

